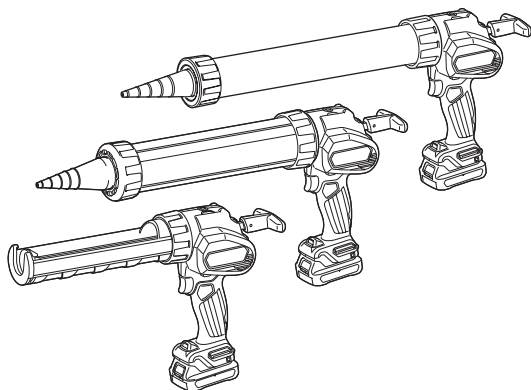


INSTRUCTION MANUAL
MANUEL D'INSTRUCTION
MANUAL DE INSTRUCCIONES



Cordless Caulking Gun Pistolet à Mastic Sans Fil Pistola Inalámbrica para Aplicación de Sellador CG100D



IMPORTANT: Read Before Using.

IMPORTANT : Lire avant usage.

IMPORTANTE: Lea antes de usar.

SPECIFICATIONS

Model:		CG100D
Maximum feed force		5,000 N (1,100 lbs)
Feed speed		0 - 28 mm/s (0 - 66 inch/min)
Stroke	300 ml (10 fl oz) size holder (Holder A)	214 mm (8-3/8")
	400 ml (14 fl oz) size holder (Holder D)	214 mm (8-3/8")
	600 ml (20 fl oz) size holder (Holder B)	350 mm (13-3/4")
	800 ml (29 fl oz) size holder (Holder C)	294 mm (11-5/8")
Overall length	300 ml (10 fl oz) size holder (Holder A)	404 mm (15-7/8")
	400 ml (14 fl oz) size holder (Holder D)	402 mm (15-3/4")
	600 ml (20 fl oz) size holder (Holder B)	538 mm (21-1/4")
	800 ml (29 fl oz) size holder (Holder C)	480 mm (18-7/8")
Rated voltage		D.C. 10.8 V - 12 V max
Net weight		1.9 - 2.6 kg (4.2 - 5.7 lbs)

- Due to our continuing program of research and development, the specifications herein are subject to change without notice.
- Specifications and battery cartridge may differ from country to country.
- The weight may differ depending on the attachment(s), including the battery cartridge. The lightest and heaviest combinations, according to EPTA-Procedure 01/2014, are shown in the table.

Applicable battery cartridge and charger

Battery cartridge	BL1016 / BL1021B / BL1041B
Charger	DC10SB / DC10WD / DC18RE

- Some of the battery cartridges and chargers listed above may not be available depending on your region of residence.

⚠ WARNING: Only use the battery cartridges and chargers listed above. Use of any other battery cartridges and chargers may cause injury and/or fire.

SAFETY WARNINGS

General power tool safety warnings

⚠ WARNING: Read all safety warnings, instructions, illustrations and specifications provided with this power tool. Failure to follow all instructions listed below may result in electric shock, fire and/or serious injury.

Save all warnings and instructions for future reference.

The term "power tool" in the warnings refers to your mains-operated (corded) power tool or battery-operated (cordless) power tool.

Work area safety

1. **Keep work area clean and well lit.** Cluttered or dark areas invite accidents.
2. **Do not operate power tools in explosive atmospheres, such as in the presence of flammable liquids, gases or dust.** Power tools create sparks which may ignite the dust or fumes.
3. **Keep children and bystanders away while operating a power tool.** Distractions can cause you to lose control.

Electrical Safety

1. **Power tool plugs must match the outlet. Never modify the plug in any way. Do not use any adapter plugs with earthed (grounded) power tools.** Unmodified plugs and matching outlets will reduce risk of electric shock.

2. **Avoid body contact with earthed or grounded surfaces, such as pipes, radiators, ranges and refrigerators.** There is an increased risk of electric shock if your body is earthed or grounded.
3. **Do not expose power tools to rain or wet conditions.** Water entering a power tool will increase the risk of electric shock.
4. **Do not abuse the cord. Never use the cord for carrying, pulling or unplugging the power tool. Keep cord away from heat, oil, sharp edges or moving parts.** Damaged or entangled cords increase the risk of electric shock.
5. **When operating a power tool outdoors, use an extension cord suitable for outdoor use.** Use of a cord suitable for outdoor use reduces the risk of electric shock.
6. **If operating a power tool in a damp location is unavoidable, use a ground fault circuit interrupter (GFCI) protected supply.** Use of a GFCI reduces the risk of electric shock.
7. **Power tools can produce electromagnetic fields (EMF) that are not harmful to the user.** However, users of pacemakers and other similar medical devices should contact the maker of their device and/or doctor for advice before operating this power tool.

Personal Safety

1. **Stay alert, watch what you are doing and use common sense when operating a power tool. Do not use a power tool while you are tired or under the influence of drugs, alcohol or medication.** A moment of inattention while operating power tools may result in serious personal injury.
2. **Use personal protective equipment. Always wear eye protection.** Protective equipment such as dust mask, non-skid safety shoes, hard hat, or hearing protection used for appropriate conditions will reduce personal injuries.
3. **Prevent unintentional starting. Ensure the switch is in the off-position before connecting to power source and/or battery pack, picking up or carrying the tool.** Carrying power tools with your finger on the switch or energising power tools that have the switch on invites accidents.
4. **Remove any adjusting key or wrench before turning the power tool on.** A wrench or a key left attached to a rotating part of the power tool may result in personal injury.
5. **Do not overreach. Keep proper footing and balance at all times.** This enables better control of the power tool in unexpected situations.
6. **Dress properly. Do not wear loose clothing or jewellery. Keep your hair, clothing and gloves away from moving parts.** Loose clothes, jewellery or long hair can be caught in moving parts.
7. **If devices are provided for the connection of dust extraction and collection facilities, ensure these are connected and properly used.** Use of dust collection can reduce dust-related hazards.
8. **Do not let familiarity gained from frequent use of tools allow you to become complacent and ignore tool safety principles.** A careless action can cause severe injury within a fraction of a second.

9. **Always wear protective goggles to protect your eyes from injury when using power tools. The goggles must comply with ANSI Z87.1 in the USA. It is an employer's responsibility to enforce the use of appropriate safety protective equipment by the tool operators and by other persons in the immediate working area.**

Power tool use and care

1. **Do not force the power tool. Use the correct power tool for your application.** The correct power tool will do the job better and safer at the rate for which it was designed.
2. **Do not use the power tool if the switch does not turn it on and off.** Any power tool that cannot be controlled with the switch is dangerous and must be repaired.
3. **Disconnect the plug from the power source and/or remove the battery pack, if detachable, from the power tool before making any adjustments, changing accessories, or storing power tools.** Such preventive safety measures reduce the risk of starting the power tool accidentally.
4. **Store idle power tools out of the reach of children and do not allow persons unfamiliar with the power tool or these instructions to operate the power tool.** Power tools are dangerous in the hands of untrained users.
5. **Maintain power tools and accessories. Check for misalignment or binding of moving parts, breakage of parts and any other condition that may affect the power tool's operation. If damaged, have the power tool repaired before use.** Many accidents are caused by poorly maintained power tools.
6. **Keep cutting tools sharp and clean.** Properly maintained cutting tools with sharp cutting edges are less likely to bind and are easier to control.
7. **Use the power tool, accessories and tool bits etc. in accordance with these instructions, taking into account the working conditions and the work to be performed.** Use of the power tool for operations different from those intended could result in a hazardous situation.
8. **Keep handles and grasping surfaces dry, clean and free from oil and grease.** Slippery handles and grasping surfaces do not allow for safe handling and control of the tool in unexpected situations.
9. **When using the tool, do not wear cloth work gloves which may be entangled.** The entanglement of cloth work gloves in the moving parts may result in personal injury.

Battery tool use and care

1. **Recharge only with the charger specified by the manufacturer.** A charger that is suitable for one type of battery pack may create a risk of fire when used with another battery pack.
2. **Use power tools only with specifically designated battery packs.** Use of any other battery packs may create a risk of injury and fire.
3. **When battery pack is not in use, keep it away from other metal objects, like paper clips, coins, keys, nails, screws or other small metal objects, that can make a connection from one terminal to another.** Shorting the battery terminals together may cause burns or a fire.

4. **Under abusive conditions, liquid may be ejected from the battery; avoid contact. If contact accidentally occurs, flush with water. If liquid contacts eyes, additionally seek medical help.** Liquid ejected from the battery may cause irritation or burns.
5. **Do not use a battery pack or tool that is damaged or modified.** Damaged or modified batteries may exhibit unpredictable behaviour resulting in fire, explosion or risk of injury.
6. **Do not expose a battery pack or tool to fire or excessive temperature.** Exposure to fire or temperature above 130 °C may cause explosion.
7. **Follow all charging instructions and do not charge the battery pack or tool outside the temperature range specified in the instructions.** Charging improperly or at temperatures outside the specified range may damage the battery and increase the risk of fire.

Service

1. **Have your power tool serviced by a qualified repair person using only identical replacement parts.** This will ensure that the safety of the power tool is maintained.
2. **Never service damaged battery packs.** Service of battery packs should only be performed by the manufacturer or authorized service providers.
3. **Follow instruction for lubricating and changing accessories.**
4. **Do not modify or attempt to repair the appliance or the battery pack except as indicated in the instructions for use and care.**

Cordless caulking gun safety warnings

1. Keep hands and clothes away from the rod and the plunger area. Otherwise your finger or clothes may be pinched.
2. Hold the tool firmly.
3. Always work in well ventilated area and wear proper protections in accordance with the operation.
4. Be sure no one is below when using the tool in high locations.
5. Read and follow the manufacture's instructions on caulking material or adhesive material before usage.
6. Do not cover vents, or it may cause overheating and damage to the tool.

SAVE THESE INSTRUCTIONS.

⚠ WARNING: DO NOT let comfort or familiarity with product (gained from repeated use) replace strict adherence to safety rules for the subject product. MISUSE or failure to follow the safety rules stated in this instruction manual may cause serious personal injury.

Symbols

The followings show the symbols used for tool.

V	volts
— ---	direct current

Important safety instructions for battery cartridge

1. **Before using battery cartridge, read all instructions and cautionary markings on (1) battery charger, (2) battery, and (3) product using battery.**
2. **Do not disassemble or tamper with the battery cartridge.** It may result in a fire, excessive heat, or explosion.
3. **If operating time has become excessively shorter, stop operating immediately. It may result in a risk of overheating, possible burns and even an explosion.**
4. **If electrolyte gets into your eyes, rinse them out with clear water and seek medical attention right away. It may result in loss of your eyesight.**
5. **Do not short the battery cartridge:**
 - (1) **Do not touch the terminals with any conductive material.**
 - (2) **Avoid storing battery cartridge in a container with other metal objects such as nails, coins, etc.**
 - (3) **Do not expose battery cartridge to water or rain.**
6. **A battery short can cause a large current flow, overheating, possible burns and even a breakdown.**
7. **Do not store and use the tool and battery cartridge in locations where the temperature may reach or exceed 50 °C (122 °F).**
8. **Do not incinerate the battery cartridge even if it is severely damaged or is completely worn out. The battery cartridge can explode in a fire.**
9. **Do not nail, cut, crush, throw, drop the battery cartridge, or hit against a hard object to the battery cartridge.** Such conduct may result in a fire, excessive heat, or explosion.
10. **Do not use a damaged battery.**
11. **The contained lithium-ion batteries are subject to the Dangerous Goods Legislation requirements.**

For commercial transports e.g. by third parties, forwarding agents, special requirement on packaging and labeling must be observed.

For preparation of the item being shipped, consulting an expert for hazardous material is required. Please also observe possibly more detailed national regulations.

Tape or mask off open contacts and pack up the battery in such a manner that it cannot move around in the packaging.

11. When disposing the battery cartridge, remove it from the tool and dispose of it in a safe place. Follow your local regulations relating to disposal of battery.
12. Use the batteries only with the products specified by Makita. Installing the batteries to non-compliant products may result in a fire, excessive heat, explosion, or leak of electrolyte.
13. If the tool is not used for a long period of time, the battery must be removed from the tool.
14. During and after use, the battery cartridge may take on heat which can cause burns or low temperature burns. Pay attention to the handling of hot battery cartridges.
15. Do not touch the terminal of the tool immediately after use as it may get hot enough to cause burns.
16. Do not allow chips, dust, or soil stuck into the terminals, holes, and grooves of the battery cartridge. It may cause heating, catching fire, burst and malfunction of the tool or battery cartridge, resulting in burns or personal injury.
17. Unless the tool supports the use near high-voltage electrical power lines, do not use the battery cartridge near high-voltage electrical power lines. It may result in a malfunction or breakdown of the tool or battery cartridge.
18. Keep the battery away from children.

SAVE THESE INSTRUCTIONS.

CAUTION: Only use genuine Makita batteries. Use of non-genuine Makita batteries, or batteries that have been altered, may result in the battery bursting causing fires, personal injury and damage. It will also void the Makita warranty for the Makita tool and charger.

Tips for maintaining maximum battery life

1. Charge the battery cartridge before completely discharged. Always stop tool operation and charge the battery cartridge when you notice less tool power.
2. Never recharge a fully charged battery cartridge. Overcharging shortens the battery service life.
3. Charge the battery cartridge with room temperature at 10 °C - 40 °C (50 °F - 104 °F). Let a hot battery cartridge cool down before charging it.
4. When not using the battery cartridge, remove it from the tool or the charger.

FUNCTIONAL DESCRIPTION

CAUTION: Always be sure that the tool is switched off and the battery cartridge is removed before adjusting or checking function on the tool.

Installing or removing battery cartridge

CAUTION: Always switch off the tool before installing or removing of the battery cartridge.

CAUTION: Hold the tool and the battery cartridge firmly when installing or removing battery cartridge. Failure to hold the tool and the battery cartridge firmly may cause them to slip off your hands and result in damage to the tool and battery cartridge and a personal injury.

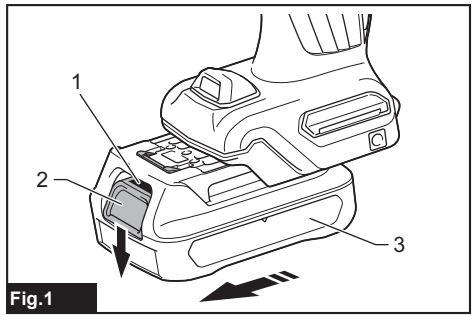


Fig.1

► 1. Red indicator 2. Button 3. Battery cartridge

To remove the battery cartridge, slide it from the tool while sliding the button on the front of the cartridge.

To install the battery cartridge, align the tongue on the battery cartridge with the groove in the housing and slip it into place. Insert it all the way until it locks in place with a little click. If you can see the red indicator as shown in the figure, it is not locked completely.

CAUTION: Always install the battery cartridge fully until the red indicator cannot be seen. If not, it may accidentally fall out of the tool, causing injury to you or someone around you.

CAUTION: Do not install the battery cartridge forcibly. If the cartridge does not slide in easily, it is not being inserted correctly.

Battery protection system

The tool is equipped with a battery protection system. This system automatically cuts off power to the motor to extend battery life.

The tool will automatically stop during operation if the tool and/or battery are placed under one of the following conditions:

Overloaded:

The tool is operated in a manner that causes it to draw an abnormally high current.

In this situation, turn the tool off and stop the application that caused the tool to become overloaded. Then turn the tool on to restart.

If the tool does not start, the battery is overheated. In this situation, let the battery cool before turning the tool on again.

Low battery voltage:

The remaining battery capacity is too low and the tool will not operate. If you turn the tool on, the motor runs again but stops soon. In this situation, remove and recharge the battery.

Indicating the remaining battery capacity

Only for battery cartridges with the indicator

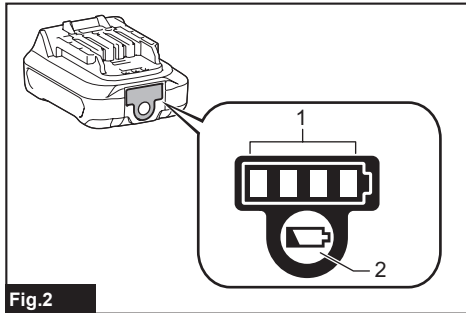


Fig.2

► 1. Indicator lamps 2. Check button

Press the check button on the battery cartridge to indicate the remaining battery capacity. The indicator lamps light up for a few seconds.

Indicator lamps		Remaining capacity
Lighted	Off	
■ ■ ■ ■	□ □ □ □	75% to 100%
■ ■ ■ □	□ □ □ □	50% to 75%
■ ■ □ □	□ □ □ □	25% to 50%
■ □ □ □	□ □ □ □	0% to 25%

NOTE: Depending on the conditions of use and the ambient temperature, the indication may differ slightly from the actual capacity.

Switch action

CAUTION: Before installing the battery cartridge into the tool, always check to see that the switch trigger actuates properly and returns to the "OFF" position when released.

CAUTION: When not operating the tool, push the trigger-lock button from A side to lock the switch trigger in the OFF position.

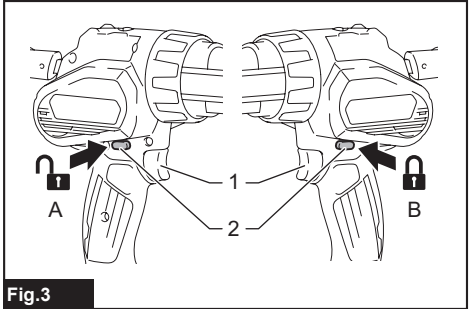


Fig.3

► 1. Switch trigger 2. Trigger-lock button

To prevent the switch trigger from accidentally pulled, the trigger-lock button is provided.

To start the tool, depress the trigger-lock button from A side and pull the switch trigger. Tool speed is increased by increasing pressure on the switch trigger. Release the switch trigger to stop.

After use, press in the trigger-lock button from B side.

Speed adjusting dial

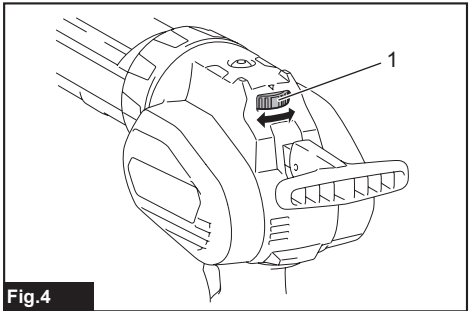


Fig.4

► 1. Speed adjusting dial

The tool speed can be adjusted by turning the speed adjusting dial. You can get the highest speed at 5 and the lowest speed at 1.

NOTICE: Do not turn the dial quickly when the tool is working.

NOTICE: Depending on the type and conditions of caulking material, it may not be fed at low speed. In this case, set the speed adjusting dial higher.

NOTICE: When changing the speed dial from "5" to "1", turn the dial counterclockwise. Do not turn the dial clockwise forcibly.

Lighting up the front lamp

CAUTION: Do not look in the light or see the source of light directly.

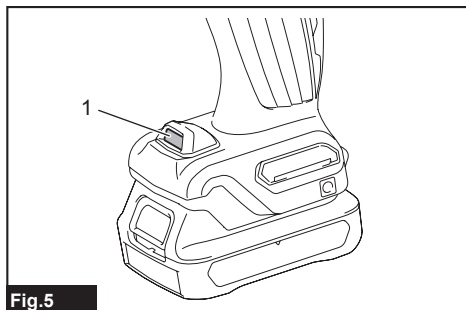


Fig.5

► 1. Lamp

To turn on the lamp, slightly pull the switch trigger, and then release it. The lamp goes out approximately 10 seconds after releasing the switch trigger.

NOTICE: When the tool is overheated, the lamp blinks. Cool down the tool fully before operating the tool again.

NOTE: Use a dry cloth to wipe the dirt off the lens of the lamp. Be careful not to scratch the lens of lamp, or it may lower the illumination.

Overload warning lamp

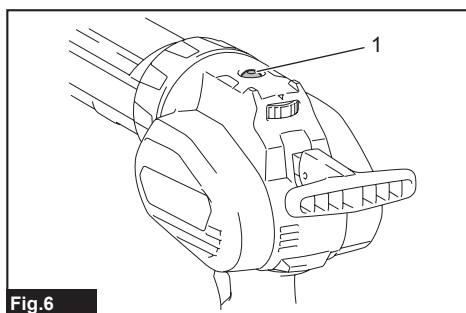


Fig.6

► 1. Warning lamp

The warning lamp blinks when the tool is highly loaded. If the load increases and the tool becomes overloaded, the tool stops automatically and the warning lamp keeps on lighting. In this case, release the switch trigger, and remove the cause of overload, and then restart the tool.

NOTE: When the warning lamp blinks, check the following points:

- The caulking material is clogged.
- The speed adjusting dial is set to high speed.
- The cutting area of the tip of the cartridge nozzle or film type package is too small.

Drip preventive function

The motor keeps running for a short time even after the trigger is released. It releases the pressure of the caulking material and prevents dripping.

ASSEMBLY

CAUTION: Always be sure that the tool is switched off and the battery cartridge is removed before carrying out any work on the tool.

CAUTION: Always place the tool on the ground or workbench when carrying out any assembling work. The tool without being held tight may lose balance and cause injury.

Parts preparation

Optional accessory

The tool is composed of the following attachment parts as shown in the illustration.

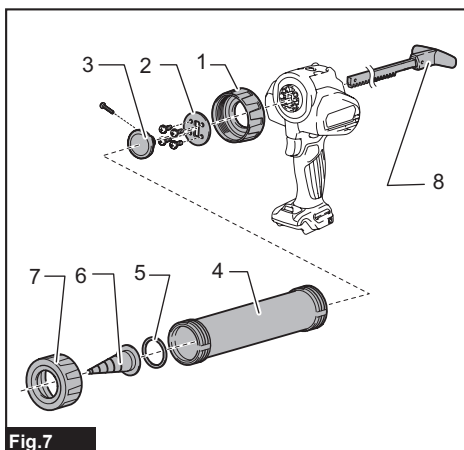










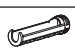
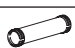

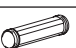













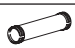

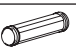
Fig.7







► 1. Holder joint 2. Plate 3. Piston 4. Holder 5. Rubber ring 6. Nozzle 7. Holder joint (as a cap) 8. Rod

NOTE: Some attachment parts or optional accessories are not available in your country.

Prepare the proper type of attachment parts depending on the caulking material container by referring to the following table.







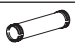
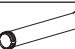



 Cartridge				
-	300 ml (10 fl oz)	400 ml (14 fl oz)	600 ml (20 fl oz)	800 ml (29 fl oz)
Holder joint	 Holder joint A	 Holder joint B		 Holder joint C complete (Holder joint C + Plate)
Plate	 Plate			
Rod	 Short rod	 Long rod	 Black rod	
Piston	 Piston A			 Piston D
Holder	 Holder A	 Holder D	 Holder B	 Holder C
Rubber ring	Not required			
Nozzle	Not required (Use the nozzle which is attached to the cartridge)			
Holder joint (as a cap)	Not required	 Holder joint B	 Holder joint C	

 Film package				
-	300 ml (10 fl oz) (Not available)	400 ml (14 fl oz)	600 ml (20 fl oz)	800 ml (29 fl oz)
Holder joint	-	 Holder joint B	 Holder joint C complete (Holder joint C + Plate)	
Plate	-	 Plate		
Rod	-	 Short rod	 Long rod	 Black rod
Piston	-	 Piston B or Piston F *		 Piston E
Holder	-	 Holder D	 Holder B	 Holder C

Rubber ring	-	 Rubber ring for holder joint B	 Rubber ring for holder joint C
Nozzle	-	 Nozzle for holder joint B	 Nozzle for holder joint C
Holder joint (as a cap)	-	 Holder joint B	 Holder joint C

* The piston F pushes out the caulking material leaner.

* When using the piston F, always use Makita nozzle. Using the nozzle any other than makita, may cause an interference.

 Direct filling				
-	300 ml (10 fl oz) (Not available)	400 ml (14 fl oz)	600 ml (20 fl oz)	800 ml (29 fl oz) (Not available)
Holder joint	-	 Holder joint B		-
Plate	-	 Plate		-
Rod	-	 Short rod	 Long rod	-
Piston	-	 Piston C		
Holder	-	 Holder D	 Holder B	-
Rubber ring	-	 Rubber ring for holder joint B		
Nozzle	-	 Nozzle for holder joint B		
Holder joint (as a cap)	-	 Holder joint B		

Installing or removing the holder joint

Attach the holder joint and plate by securing the screws firmly. To remove the holder joint, follow the installation procedure in reverse.

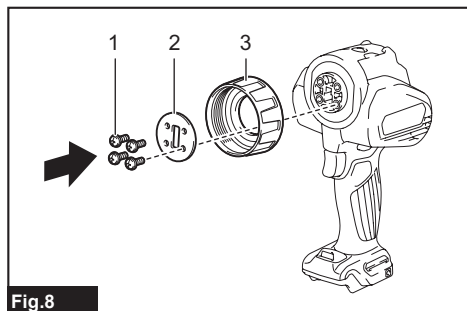


Fig.8

- 1. Screw 2. Plate 3. Holder joint

Installing or removing the rod and piston

1. Insert the rod from the rear side of the tool with its teeth facing down.

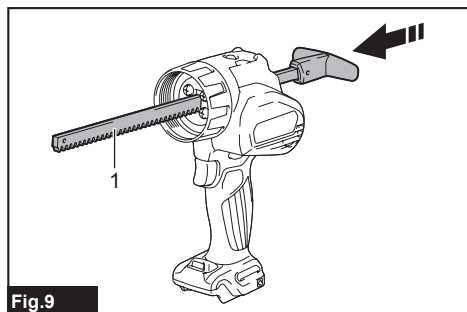


Fig.9

- 1. Rod

2. Attach piston to the screw.

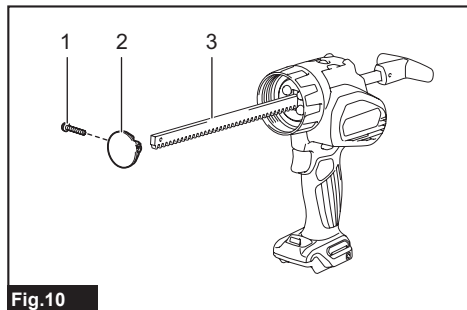


Fig.10

- 1. Screw 2. Piston 3. Rod

To remove the rod and piston, follow the installation procedure in reverse.

Installing or removing the holder

CAUTION: Secure the holder to the holder joint firmly. Otherwise the holder may come off during operation and may cause an injury.

To install the holder, turn it clockwise firmly until it stops while holding the holder joint. To remove the holder, follow the installation procedure in reverse.

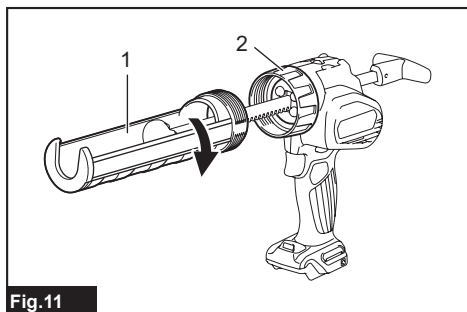


Fig.11

- 1. Holder 2. Holder joint

OPERATION

CAUTION: Do not use solid caulking material. Be sure to remove the solid caulking material before the installation. Solid caulking material may cause malfunction or personal injury.

NOTICE: Make sure the attachment parts are correct by referring the section for the parts preparation. Using improper parts may cause leakage or tool breakage.

NOTICE: Always keep the rod and piston clean. Adhered caulk may damage the tool.

Using cartridge

Preparing cartridge for use

1. Cut the tip of the cartridge nozzle so that the suitable amount of caulking material which you want to feed.

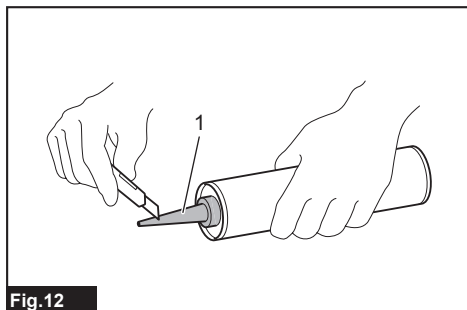


Fig.12

- 1. Nozzle

2. Make a hole on the protective film with the tip of the nozzle.

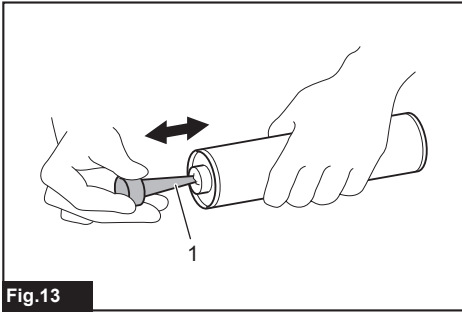


Fig.13

- ▶ 1. Nozzle

3. Attach the nozzle to the cartridge.

NOTICE: Be sure to check the cartridge for damage before installation. Using the damaged cartridge may cause malfunction.

Installing cartridge to holder A

1. Pull the rod handle backward slowly until it stops.

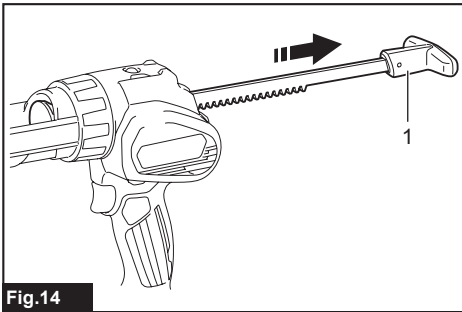


Fig.14

- ▶ 1. Rod handle

2. Insert the cartridge into the holder as shown in the figure.

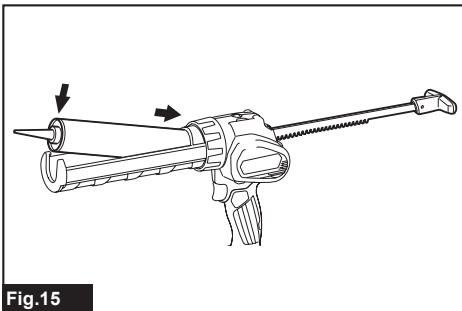


Fig.15

3. Push the rod gently until the piston touches the bottom of cartridge.

To remove the cartridge, pull the rod backwards until it stops, then lift out the cartridge.

Installing cartridge to other than holder A

1. Pull the rod handle backward slowly until it stops.

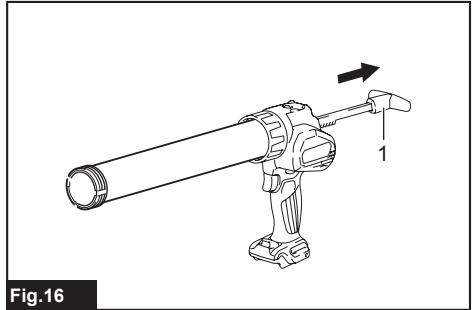


Fig.16

- ▶ 1. Rod handle

2. Insert the cartridge into the holder.

3. Attach the holder joint (as a cap) by turning it firmly while holding the holder.

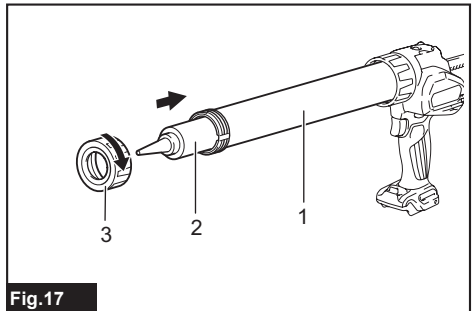


Fig.17

- ▶ 1. Holder 2. Cartridge 3. Holder joint (as a cap)

4. Push the rod gently until the piston touches the bottom of cartridge.

To remove the cartridge, follow the installation procedure in reverse.

Using film type package

Preparing package for use

Cut off the tip of the package.

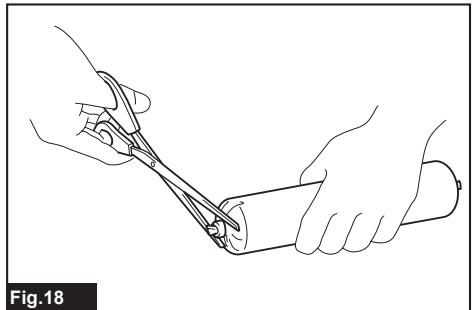


Fig.18

NOTICE: Be sure to check the package for damage before installation. Using the damaged package may cause malfunction.

Installing film type package to holder

1. Pull the rod handle backward slowly until it stops.

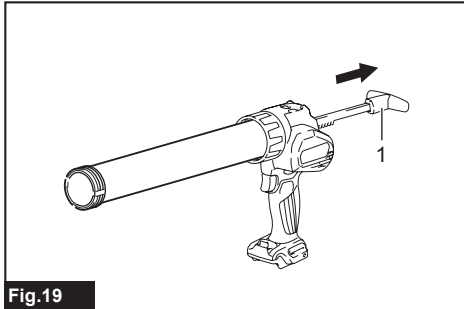


Fig.19

- 1. Rod handle

2. Insert the package into the holder.
3. Attach the rubber ring, nozzle, and holder joint (as a cap). Fasten the holder joint (as a cap) firmly.

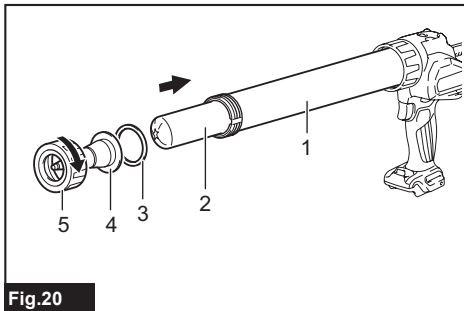


Fig.20

- 1. Holder 2. Film package 3. Rubber ring 4. Nozzle 5. Holder joint (as a cap)

4. Push the rod gently until the piston touches the package.

To remove the package, remove the holder joint (as a cap), nozzle, rubber ring, and then push the rod handle forward until it stops.

Direct filling

1. Push the rod handle all the way until it stops.

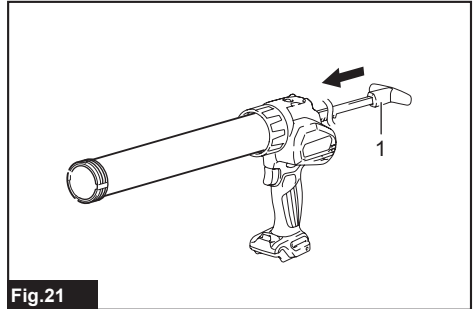


Fig.21

- 1. Rod handle

2. Insert the tip of the holder into the caulking material, and then pull the rod handle slowly to fill the holder with the caulking material.

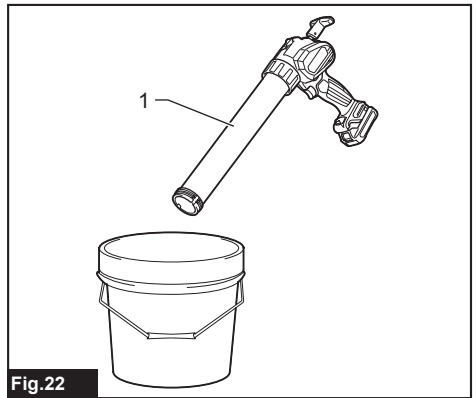


Fig.22

- 1. Holder

3. Attach the rubber ring, nozzle, and holder joint (as a cap). Fasten the holder joint (as a cap) firmly.

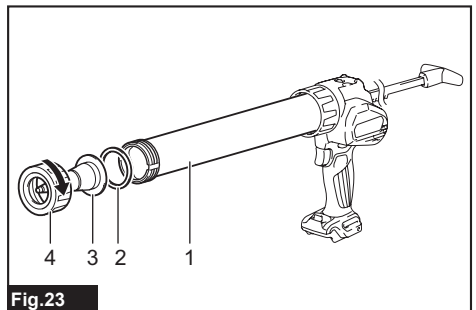


Fig.23

- 1. Holder 2. Rubber ring 3. Nozzle 4. Holder joint (as a cap)

Caulking operation

Pull the trigger to feed the caulking material. Put one hand under the holder to support the tool while operating it.

NOTE: You can rotate the holder in accordance with required situations to facilitate the operation.

NOTE: At the beginning of operation, set the speed adjusting dial to "1" and pull the switch trigger slowly to check how much amount of caulking material is fed.

NOTE: Depending on the type and conditions of caulking material, it may not be fed at low speed. In this case, set the speed adjusting dial higher.

NOTE: If the caulking material is not fed, check the following points:

- The tip of cartridge nozzle is not cut adequately.
- The caulking material is solid and clogged in the nozzle.
- The cartridge or package is damaged.
- The caulking material is stiff. Warm the material until it becomes soft.
- The attached piston is not appropriate for the type of caulking material.

After the operation, wipe off the caulking material from the tool. Be sure to remove the caulking material before it becomes solid.

NOTE: When the rod reaches front end, the motor starts idling. Replace the caulking material when it happens.

NOTE: If you cannot pull out the rod, turn the speed adjusting dial to 1, and pull the switch trigger for a moment, and try to pull the rod out after the motor stopped. If the rod is still clogged, perform the same action until the rod is able to move.

MAINTENANCE

CAUTION: Always be sure that the tool is switched off and the battery cartridge is removed before attempting to perform inspection or maintenance.

NOTICE: Never use gasoline, benzine, thinner, alcohol or the like. Discoloration, deformation or cracks may result.

To maintain product SAFETY and RELIABILITY, repairs, any other maintenance or adjustment should be performed by Makita Authorized or Factory Service Centers, always using Makita replacement parts.

OPTIONAL ACCESSORIES

CAUTION: These accessories or attachments are recommended for use with your Makita tool specified in this manual. The use of any other accessories or attachments might present a risk of injury to persons. Only use accessory or attachment for its stated purpose.

If you need any assistance for more details regarding these accessories, ask your local Makita Service Center.

- Piston
- Holder set
- Nozzle
- Makita genuine battery and charger

NOTE: Some items in the list may be included in the tool package as standard accessories. They may differ from country to country.

MAKITA LIMITED WARRANTY

Please refer to the annexed warranty sheet for the most current warranty terms applicable to this product. If annexed warranty sheet is not available, refer to the warranty details set forth at below website for your respective country.

United States of America: www.makitatools.com

Canada: www.makita.ca

Other countries: www.makita.com

SPÉCIFICATIONS

Modèle :		CG100D
Puissance d'alimentation maximale		5 000 N (1 100 lbs)
Vitesse d'alimentation		0 - 28 mm/s (0 - 66 inch/min)
Course	Support de format 300 ml (10 fl oz) (Support A)	214 mm (8-3/8")
	Support de format 400 ml (14 fl oz) (Support D)	214 mm (8-3/8")
	Support de format 600 ml (20 fl oz) (Support B)	350 mm (13-3/4")
	Support de format 800 ml (29 fl oz) (Support C)	294 mm (11-5/8")
Longueur totale	Support de format 300 ml (10 fl oz) (Support A)	404 mm (15-7/8")
	Support de format 400 ml (14 fl oz) (Support D)	402 mm (15-3/4")
	Support de format 600 ml (20 fl oz) (Support B)	538 mm (21-1/4")
	Support de format 800 ml (29 fl oz) (Support C)	480 mm (18-7/8")
Tension nominale		C.C. 10,8 V - 12 V max.
Poids net		1,9 - 2,6 kg (4,2 - 5,7 lbs)

- Étant donné l'évolution constante de notre programme de recherche et développement, les spécifications contenues dans ce manuel sont sujettes à modification sans préavis.
- Les spécifications et la batterie peuvent varier suivant les pays.
- Le poids peut varier selon les accessoires, y compris la batterie. La plus légère et la plus lourde combinaisons, selon la procédure EPTA 01/2014, sont indiquées dans le tableau.

Batteries et chargeurs applicables

Batterie	BL1016 / BL1021B / BL1041B
Chargeur	DC10SB / DC10WD / DC18RE

- Suivant la région où vous habitez, il se peut que certaines des batteries et certains des chargeurs énumérés ci-dessus ne soient pas disponibles.

⚠ MISE EN GARDE : Utilisez exclusivement les batteries et chargeurs énumérés ci-dessus. L'utilisation de toute autre batterie ou tout autre chargeur peut entraîner une blessure et/ou un incendie.

CONSIGNES DE SÉCURITÉ

Consignes de sécurité générales pour outils électriques

⚠ MISE EN GARDE : Lisez toutes les mises en garde, instructions, illustrations et spécifications qui accompagnent cet outil électrique. Il y a risque de décharge électrique, d'incendie et/ou de blessure grave si les instructions ci-dessous ne sont pas toutes respectées.

Conservez toutes les mises en garde et instructions pour référence future.

Le terme « outil électrique » qui figure dans les avertissements fait référence à un outil électrique branché sur une prise de courant (par un cordon d'alimentation) ou alimenté par batterie (sans fil).

Sécurité de la zone de travail

1. **Maintenez la zone de travail propre et bien éclairée.** Les zones de travail encombrées ou sombres ouvrent grande la porte aux accidents.
2. **N'utilisez pas les outils électriques dans les atmosphères explosives, par exemple en présence de liquides, gaz ou poussières inflammables.** Les outils électriques produisent des étincelles au contact desquelles la poussière ou les vapeurs peuvent s'enflammer.

3. **Assurez-vous qu'aucun enfant ou curieux ne s'approche pendant que vous utilisez un outil électrique.** Vous risquez de perdre la maîtrise de l'outil si votre attention est détournée.

Sécurité en matière d'électricité

1. **Les fiches d'outil électrique sont conçues pour s'adapter parfaitement aux prises de courant. Ne modifiez jamais la fiche de quelque façon que ce soit. N'utilisez aucun adaptateur de fiche sur les outils électriques avec mise à la terre.** En ne modifiant pas les fiches et en les insérant dans des prises de courant pour lesquelles elles ont été conçues, vous réduirez les risques de choc électrique.
2. **Évitez tout contact corporel avec les surfaces mises à la terre, telles que tuyaux, radiateurs, cuisinières et réfrigérateurs.** Le risque de choc électrique est plus élevé si votre corps se trouve mis à la terre.
3. **N'exposez pas les outils électriques à la pluie ou à l'eau.** La présence d'eau dans un outil électrique augmente le risque de choc électrique.
4. **Ne maltraitez pas le cordon. N'utilisez jamais le cordon pour transporter, tirer ou débrancher l'outil électrique. Maintenez le cordon à l'écart des sources de chaleur, de l'huile, des objets à bords tranchants et des pièces en mouvement.** Le risque de choc électrique est plus élevé lorsque les cordons sont endommagés ou enchevêtrés.
5. **Lorsque vous utilisez un outil électrique à l'extérieur, utilisez un cordon prolongateur conçu pour l'usage extérieur.** Les risques de choc électrique est moindre lorsqu'un cordon conçu pour l'usage extérieur est utilisé.
6. **Si vous devez utiliser un outil électrique dans un endroit humide, utilisez une source d'alimentation protégée par un disjoncteur de fuite à la terre.** L'utilisation d'un disjoncteur de fuite à la terre réduit le risque de choc électrique.
7. **Les outils électriques peuvent produire des champs électromagnétiques (CEM) qui ne sont pas préjudiciables à l'utilisateur.** Les utilisateurs de stimulateur cardiaque ou autres appareils médicaux similaires doivent toutefois demander conseil au fabricant et/ou à leur médecin avant d'utiliser cet outil électrique.

Sécurité personnelle

1. **Restez alerte, attentif à vos mouvements et faites preuve de bon sens lorsque vous utilisez un outil électrique. N'utilisez pas les outils électriques si vous êtes fatigué ou avez pris une drogue, de l'alcool ou un médicament.** Un moment d'inattention pendant l'utilisation d'un outil électrique peut entraîner une grave blessure.
2. **Portez des dispositifs de protection personnelle. Portez toujours une protection oculaire.** Les risques de blessure seront moins élevés si vous utilisez des dispositifs de protection tels qu'un masque anti-poussière, des chaussures à semelle antidérapante, une coiffure résistante ou une protection d'oreilles.

3. **Évitez les démarrages accidentels. Assurez-vous que l'interrupteur est en position d'arrêt avant de brancher l'outil à la prise de courant et/ou au bloc-piles, et avant de prendre ou de transporter l'outil.** Vous ouvrez la porte aux accidents si vous transportez les outils électriques avec le doigt sur l'interrupteur ou si vous les branchez alors que l'interrupteur est en position de marche.
4. **Retirez toute clé de réglage ou de serrage avant de mettre l'outil électrique sous tension.** Toute clé laissée en place sur une pièce rotative de l'outil électrique peut entraîner une blessure.
5. **Ne vous étirez pas exagérément. Assurez-vous d'une bonne prise au sol et d'un bon équilibre en tout temps.** Cela vous permettra d'avoir une meilleure maîtrise de l'outil électrique dans les situations imprévues.
6. **Portez des vêtements adéquats. Ne portez ni vêtements amples ni bijoux. Gardez vos cheveux, vêtements et gants à l'écart des pièces en mouvement.** Les vêtements amples, bijoux ou cheveux longs peuvent être happés par les pièces en mouvement.
7. **Si des accessoires sont fournis pour raccorder un appareil d'aspiration et de collecte de la poussière, assurez-vous qu'ils sont correctement raccordés et qu'ils sont utilisés de manière adéquate.** L'utilisation d'un appareil de collecte permet de réduire les risques liés à la présence de poussière dans l'air.
8. **Évitez d'être complaisant et d'ignorer les principes de sécurité de l'outil en raison de la familiarité acquise par un usage fréquent des outils.** Un geste imprudent peut entraîner une grave blessure en une fraction de seconde.
9. **Portez toujours des lunettes à coques de protection pour protéger vos yeux contre les blessures lors de l'utilisation d'outils électriques. Les lunettes à coques doivent être conformes à ANSI Z87.1 aux États-Unis.** L'employeur a la responsabilité d'imposer l'utilisation d'équipements de protection de sécurité adéquats aux utilisateurs des outils électriques et à toute autre personne se trouvant dans la zone de travail immédiate.

Utilisation et entretien des outils électriques

1. **Ne forcez pas l'outil électrique. Utilisez l'outil électrique adéquat suivant le type de travail à effectuer.** Si vous utilisez l'outil électrique adéquat et respectez le régime pour lequel il a été conçu, il effectuera un travail de meilleure qualité et plus sécuritaire.
2. **N'utilisez pas l'outil électrique s'il n'est pas possible de l'allumer et de l'éteindre avec son interrupteur.** Un outil électrique dont l'interrupteur est défectueux représente un danger et doit être réparé.
3. **Avant d'effectuer tout réglage, de remplacer un accessoire ou de ranger l'outil électrique, débranchez la fiche de la source d'alimentation et/ou retirez la batterie de l'outil électrique si elle est amovible.** Ces mesures préventives de sécurité réduisent les risques de démarrage accidentel de l'outil électrique.

4. **Après l'utilisation d'un outil électrique, rangez-le hors de portée des enfants et ne laissez aucune personne l'utiliser si elle n'est pas familiarisée avec l'outil électrique ou les présentes instructions d'utilisation.** Les outils électriques représentent un danger entre les mains de personnes qui n'en connaissent pas le mode d'utilisation.
5. **Effectuez l'entretien des outils électriques et des accessoires. Assurez-vous que les pièces mobiles ne sont pas désalignées ou coincées, qu'aucune pièce n'est cassée et que l'outil électrique n'a subi aucun dommage affectant son bon fonctionnement. Le cas échéant, faites réparer l'outil électrique avant de l'utiliser.** De nombreux accidents sont causés par des outils électriques mal entretenus.
6. **Maintenez les outils tranchants bien aiguisés et propres.** Un outil tranchant dont l'entretien est effectué correctement et dont les bords sont bien aiguisés risquera moins de se coincer et sera plus facile à maîtriser.
7. **Utilisez l'outil électrique, ses accessoires, ses embouts, etc., en respectant les présentes instructions, en tenant compte des conditions de travail et du type de travail à effectuer.** L'utilisation d'un outil électrique pour d'autres usages que ceux prévus peut entraîner une situation dangereuse.
8. **Gardez les poignées et surfaces de saisie sèches, propres et exemptes d'huile et de graisse.** Les poignées et surfaces de saisie glissantes ne permettent pas une manipulation sûre et une bonne maîtrise de l'outil dans les situations inattendues.
9. **Lors de l'utilisation de l'outil, ne portez pas de gants de travail en tissu qui risquent de s'enchevêtrer dans l'outil.** L'enchevêtrement de gants de travail en tissu dans les pièces en mouvement peut entraîner une blessure.

Utilisation et entretien des outils alimentés par batterie

1. **Pour recharger, utilisez uniquement le chargeur spécifié par le fabricant.** L'utilisation d'un chargeur conçu pour un type donné de bloc-piles comporte un risque d'incendie lorsqu'il est utilisé avec un autre type de bloc-piles.
2. **N'utilisez un outil électrique qu'avec le bloc-piles conçu spécifiquement pour cet outil.** Il y a un risque de blessure ou d'incendie si un autre bloc-piles est utilisé.
3. **Lorsque vous n'utilisez pas le bloc-piles, rangez-le à l'écart des objets métalliques tels que trombones, pièces de monnaie, clés, clous, vis ou autres petits objets métalliques qui risqueraient d'établir une connexion entre les bornes.** La mise en court-circuit des bornes de batterie peut causer des brûlures ou un incendie.
4. **Dans des conditions d'utilisation inadéquates de la batterie, il peut y avoir fuite d'électrolyte; évitez tout contact avec ce liquide.** En cas de contact accidentel, rincez avec beaucoup d'eau. Si le liquide pénètre dans vos yeux, il faut aussi consulter un médecin. L'électrolyte qui s'échappe de la batterie peut causer des irritations ou des brûlures.

5. **N'utilisez pas une batterie ou un outil s'il est endommagé ou modifié.** Les batteries endommagées ou modifiées peuvent avoir un comportement imprévisible dont peut résulter un incendie, une explosion ou un risque de blessure.
6. **N'exposez pas une batterie ou un outil au feu ou à une température excessive.** L'exposition au feu ou à une température supérieure à 130 °C peut entraîner une explosion.
7. **Suivez toutes les instructions de charge et ne chargez pas la batterie ou l'outil à l'extérieur de la plage de température spécifiée dans les instructions.** Charger de manière inadéquate ou à des températures hors de la plage spécifiée peut endommager la batterie et augmenter le risque d'incendie.

Réparation

1. **Faites réparer votre outil électrique par un réparateur qualifié qui utilise des pièces de rechange identiques aux pièces d'origine.** Le maintien de la sûreté de l'outil électrique sera ainsi assuré.
2. **N'essayez jamais de réparer les batteries endommagées.** La réparation des batteries ne doit être effectuée que par le fabricant ou par un fournisseur de service après-vente agréé.
3. **Suivez les instructions de lubrification et de remplacement des accessoires.**
4. **Ne modifiez pas ou n'essayez pas de réparer l'appareil ou la batterie autrement que tel qu'indiqué dans les instructions d'utilisation et d'entretien.**

Consignes de sécurité pour pistolet à mastic sans fil

1. Gardez vos mains et vêtements à l'écart de la zone de la tige et du plongeur. Autrement, vos doigts ou vos vêtements risquent de s'y coincer.
2. Tenez l'outil fermement.
3. Effectuez toujours le travail dans un emplacement bien aéré, et portez toujours des protections bien adaptées au travail à effectuer.
4. Assurez-vous que personne ne se trouve au-dessous de vous quand vous utilisez l'outil dans un emplacement élevé.
5. Lisez les instructions du fabricant sur le matériau de calefrage ou le matériau adhésif avant l'utilisation, et respectez-les.
6. Ne recouvrez pas les événements, car cela peut entraîner une surchauffe et endommager l'outil.

CONSERVEZ CE MODE D'EMPLOI.

▲ MISE EN GARDE : NE VOUS LAISSEZ PAS tromper (au fil d'une utilisation répétée) par un sentiment d'aisance ou de familiarité avec le produit en négligeant les consignes de sécurité qui accompagnent le produit. L'UTILISATION INCORRECTE ou l'ignorance des consignes de sécurité du présent manuel d'instructions comporte un risque de blessure grave.

Symboles

Les symboles utilisés pour l'outil sont indiqués ci-dessous.

V	volts
— — —	courant continu

Consignes de sécurité importantes pour la batterie

1. **Avant d'utiliser la batterie, lisez toutes les instructions et les mises en garde apposées sur (1) le chargeur de batterie, (2) la batterie et (3) le produit utilisant la batterie.**
2. **Ne démontez pas et ne modifiez pas la batterie.** Cela peut entraîner un incendie, une chaleur excessive ou une explosion.
3. **Cessez immédiatement l'utilisation si le temps de fonctionnement devient excessivement court. Il y a risque de surchauffe, de brûlures, voire d'explosion.**
4. **Si l'électrolyte pénètre dans vos yeux, rincez-les à l'eau claire et consultez immédiatement un médecin. Il y a risque de perte de la vue.**
5. **Ne court-circuitez pas la batterie :**
 - (1) **Ne touchez les bornes avec aucun matériau conducteur.**
 - (2) **Évitez de ranger la batterie dans un conteneur avec d'autres objets métalliques tels que clous, pièces de monnaie, etc.**
 - (3) **Évitez d'exposer la batterie à l'eau ou à la pluie.**

Un court-circuit de la batterie pourrait provoquer un fort courant, une surchauffe, parfois des brûlures et même une panne.

6. **Ne rangez pas et n'utilisez pas l'outil ou la batterie dans des emplacements où la température peut atteindre ou dépasser 50 °C (122 °F).**
7. **Ne jetez pas la batterie au feu même si elle est sérieusement endommagée ou complètement épuisée. La batterie peut exploser au contact du feu.**
8. **Évitez de clouer, de couper, d'écraser, de lancer ou d'échapper la batterie, ou de heurter un objet dur contre la batterie.** Cela peut entraîner un incendie, une chaleur excessive ou une explosion.
9. **N'utilisez pas une batterie si elle est endommagée.**
10. **Les batteries lithium-ion fournies sont soumises aux exigences de la législation sur les marchandises dangereuses.**

Des exigences particulières sur l'emballage et l'étiquetage doivent être respectées lors du transport commercial par des tiers, des transitaires, etc. Pour préparer la marchandise à expédier, consultez un expert en matériaux dangereux si nécessaire. Respectez aussi les éventuelles réglementations nationales plus détaillées.

Recouvrez de ruban isolant les contacts exposés, et emballez la batterie de sorte qu'elle ne puisse pas se déplacer à l'intérieur de l'emballage.

11. **Lors de l'élimination de la batterie, retirez-la de l'outil et éliminez-la dans un endroit sûr. Respectez la réglementation locale concernant l'élimination de la batterie.**
12. **N'utilisez les batteries qu'avec les produits spécifiés par Makita.** Installer les batteries sur des produits non conformes peut entraîner un incendie, une chaleur excessive, une explosion ou une fuite d'électrolyte.
13. **Si l'outil reste inutilisé pour une période prolongée, la batterie doit en être retirée.**
14. **Pendant et après l'utilisation, la batterie peut accumuler de la chaleur, ce qui peut causer des brûlures ou des brûlures à basse température. Faites attention lors de la manipulation des batteries chaudes.**
15. **Ne touchez pas la borne de l'outil immédiatement après l'utilisation, car elle peut être assez chaude pour causer des brûlures.**
16. **Ne laissez pas les copeaux, les poussières ou la terre se coincer dans les bornes, les trous et les rainures de la batterie.** Cela pourrait causer un réchauffement, un incendie, un éclatement et une défaillance de l'outil ou de la batterie et entraîner des brûlures ou des blessures corporelles.
17. **À moins que l'outil ne soit compatible avec l'utilisation à proximité des lignes électriques haute tension, n'utilisez pas la batterie à proximité d'une ligne électrique haute tension.** Cela peut entraîner un dysfonctionnement ou une panne de l'outil ou de la batterie.
18. **Gardez la batterie à l'écart des enfants.**

CONSERVEZ CES INSTRUCTIONS.

⚠ ATTENTION : Utilisez exclusivement les batteries fabriquées par Makita. Les batteries autres que celles fabriquées par Makita ou les batteries modifiées peuvent exploser et causer un incendie, une blessure ou des dommages. Cela annule aussi la garantie Makita de l'outil et du chargeur Makita.

Conseils pour maintenir la durée de service maximale de la batterie

1. **Rechargez la batterie avant qu'elle ne soit complètement déchargée. Arrêtez toujours l'outil et rechargez la batterie quand vous remarquez que la puissance de l'outil diminue.**
2. **Ne rechargez jamais une batterie complètement chargée. La surcharge réduit la durée de service de la batterie.**
3. **Chargez la batterie à une température ambiante comprise entre 10 °C et 40 °C (50 °F et 104 °F). Si la batterie est chaude, laissez-la refroidir avant de la charger.**
4. **Lorsque vous n'utilisez pas la batterie, retirez-la de l'outil ou du chargeur.**

DESCRIPTION DU FONCTIONNEMENT

⚠ ATTENTION : Assurez-vous toujours que l'outil est éteint et que sa batterie est retirée avant de l'ajuster ou de vérifier son fonctionnement.

Installation ou retrait de la batterie

⚠ ATTENTION : Éteignez toujours l'outil avant d'installer ou de retirer la batterie.

⚠ ATTENTION : Tenez fermement l'outil et la batterie lors de l'installation ou du retrait de cette dernière. Si l'outil et la batterie ne sont pas tenus fermement, ils risquent de vous glisser des mains et de subir des dommages, ou encore de vous blesser.

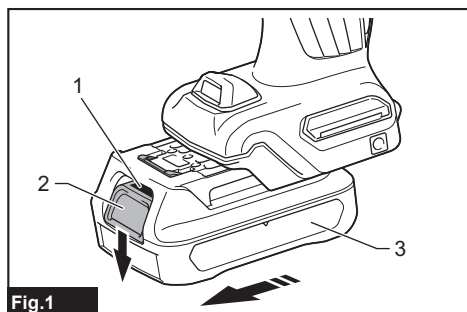


Fig.1

► 1. Indicateur rouge 2. Bouton 3. Batterie

Pour retirer la batterie, faites-la glisser hors de l'outil tout en glissant le bouton qui se trouve à l'avant.

Pour installer la batterie, alignez sa languette sur la rainure pratiquée dans le boîtier et glissez la batterie en place. Insérez-la à fond jusqu'à ce que vous entendiez un léger déclic. Si vous pouvez voir l'indicateur rouge tel qu'illustré sur la figure, cela signifie qu'elle n'est pas complètement verrouillée.

⚠ ATTENTION : Installez toujours la batterie à fond jusqu'à ce que vous ne puissiez plus voir l'indicateur rouge. Autrement elle risque de tomber accidentellement de l'outil et d'entraîner des blessures.

⚠ ATTENTION : Ne forcez pas sur la batterie pour l'installer. Si la batterie ne glisse pas facilement, c'est qu'elle n'est pas insérée correctement.

Dispositif de protection de la batterie

L'outil est équipé d'un système de protection de la batterie. Ce système coupe automatiquement l'alimentation du moteur pour augmenter la durée de vie de la batterie. L'outil s'arrête automatiquement pendant l'utilisation lorsque l'outil et/ou la batterie sont dans l'une des situations suivantes :

En surcharge :

L'outil est utilisé d'une manière entraînant une consommation anormale de courant.

Dans cette situation, éteignez l'outil et arrêtez l'application qui a causé la surcharge de l'outil. Allumez ensuite l'outil pour redémarrer.

Si l'outil ne démarre pas, c'est que la batterie est surchauffée. Dans cette situation, laissez refroidir la batterie avant de rallumer l'outil.

Tension de la batterie faible :

La capacité restante de la batterie est trop faible pour que l'outil puisse fonctionner. Si vous allumez l'outil, le moteur tourne de nouveau mais s'arrête aussitôt. Dans cette situation, retirez et rechargez la batterie.

Affichage de la charge restante de la batterie

Uniquement pour les batteries avec voyant

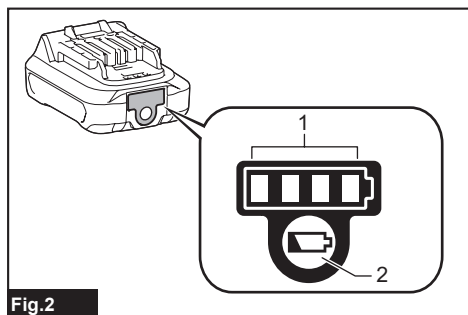


Fig.2

► 1. Témoins indicateurs 2. Bouton de vérification

Appuyez sur le bouton de vérification de la batterie pour afficher la charge restante de la batterie. Les témoins indicateurs s'allument pendant quelques secondes.

Témoins indicateurs		Capacité restante
Allumé	Éteint	
■ ■ ■ ■	□	75 % à 100 %
■ ■ ■ □	□	50 % à 75 %
■ ■ □ □	□	25 % à 50 %
■ □ □ □	□	0 % à 25 %

NOTE : Suivant les conditions d'utilisation et la température ambiante, il se peut que l'indication soit légèrement différente de la charge réelle.

Interrupteur

⚠ ATTENTION : Avant d'insérer la batterie dans l'outil, vérifiez toujours que la gâchette fonctionne bien et revient en position d'arrêt lorsque libérée.

⚠ ATTENTION : Lorsque vous n'utilisez pas l'outil, appuyez sur le bouton de verrouillage du côté A afin de verrouiller la gâchette à la position d'arrêt.

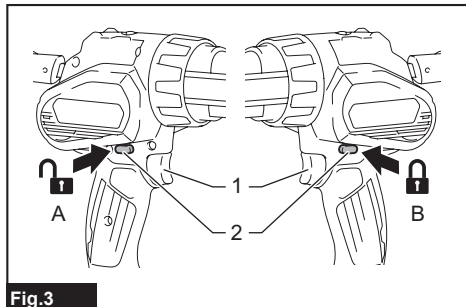


Fig.3

► 1. Gâchette 2. Bouton de verrouillage de la gâchette

L'outil est doté d'un bouton de verrouillage de la gâchette, pour éviter l'activation accidentelle de la gâchette.

Pour faire démarrer l'outil, enfoncez le bouton de verrouillage de la gâchette du côté A et appuyez sur la gâchette. La vitesse de l'outil augmente à mesure que vous augmentez la pression sur la gâchette. Pour l'arrêter, relâchez la gâchette.

Après l'utilisation, enfoncez le bouton de verrouillage de la gâchette du côté B.

Cadran de réglage de la vitesse

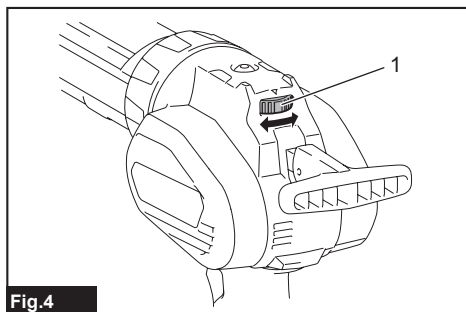


Fig.4

► 1. Cadran de réglage de la vitesse

La vitesse de l'outil peut être réglée en tournant le cadran de réglage de la vitesse. La vitesse la plus élevée est obtenue sur 5, et la vitesse la plus basse sur 1.

AVIS : Ne tournez pas le cadran rapidement pendant que l'outil tourne.

AVIS : Suivant le type et la condition du matériau de calfeutrage, il se peut qu'il ne sorte pas lentement. Le cas échéant, réglez le cadran de réglage de la vitesse sur une valeur plus élevée.

AVIS : Pour ramener le cadran de vitesse de « 5 » à « 1 », tournez le cadran dans le sens contraire des aiguilles d'une montre. Ne forcez pas le cadran en le tournant dans le sens des aiguilles d'une montre.

Allumage de la lampe avant

⚠ ATTENTION : Évitez de regarder directement le faisceau lumineux ou sa source.



Fig.5

► 1. Lampe

Pour allumer la lampe, appuyez légèrement sur la gâchette, puis libérez-la. La lampe s'éteint environ 10 secondes après la libération de la gâchette.

AVIS : Lorsque l'outil surchauffe, la lampe clignote. Laissez refroidir l'outil complètement avant de l'utiliser à nouveau.

NOTE : Utilisez un linge sec pour enlever les poussières sur la lentille de la lampe. Prenez garde de rayer la lentille de la lampe, car cela peut affecter son intensité d'éclairage.

Voyant de mise en garde contre la surcharge

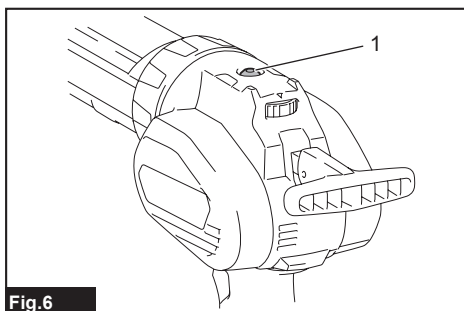


Fig.6

► 1. Voyant de mise en garde

Le voyant de mise en garde clignote lorsque l'outil est soumis à une charge élevée. Si la charge augmente et que l'outil devient surchargé, il s'arrête automatiquement et le voyant de mise en garde reste allumé. Le cas échéant, libérez la gâchette et annulez la cause de la surcharge, puis redémarrez l'outil.

NOTE : Lorsque le voyant de mise en garde clignote, vérifiez les points suivants :

- Le matériel de calfeutrage est bloqué.
- Le cadran de réglage de la vitesse est réglé sur une vitesse élevée.
- La zone de coupe est trop petite au bout de la buse de cartouche ou du paquet pelliculé.

Fonction de prévention de l'égouttement

Le moteur continue de tourner un moment après la libération de la gâchette. Cette fonction prévient l'égouttement en libérant la pression du matériel de calfeutrage.

ASSEMBLAGE

ATTENTION : Assurez-vous toujours que l'outil est éteint et que sa batterie est retirée avant d'effectuer tout travail dessus.

ATTENTION : Placez toujours l'outil sur le sol ou un établi lorsque vous réalisez tout travail d'assemblage. Si l'outil n'est pas tenu fermement, il pourrait se déséquilibrer et causer des blessures.

Préparation des pièces

Accessoire en option

L'outil est composé de pièces accessoires suivantes, comme indiqué dans l'illustration.

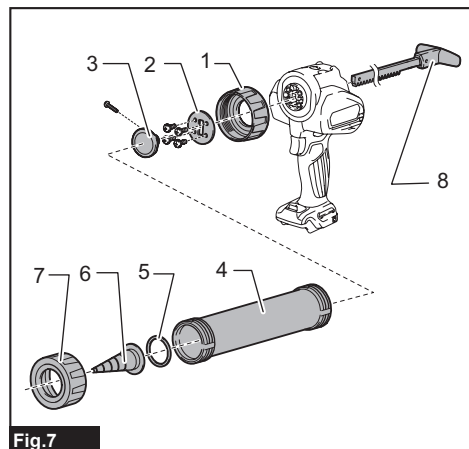













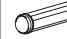















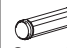
Fig.7







- 1. Joint de support 2. Plaque 3. Piston 4. Support
5. Anneau de caoutchouc 6. Buse 7. Joint de support (comme capuchon) 8. Tige

NOTE : Certaines pièces accessoires ou certains accessoires optionnels ne sont pas disponibles dans votre pays.












Préparez le type adéquat de pièces accessoires selon le contenant du matériel de calfeutrage, en vous reportant au tableau suivant.

 Cartouche				
-	300 ml (10 fl oz)	400 ml (14 fl oz)	600 ml (20 fl oz)	800 ml (29 fl oz)
Joint de support	 Joint de support A	 Joint de support B	 Joint de support C complet (Joint de support C + Plaque)	
Plaque	 Plaque			
Tige	 Tige courte	 Tige longue	 Tige noire	
Piston	 Piston A		 Piston D	
Support	 Support A	 Support D	 Support B	 Support C
Anneau de caoutchouc	Non requis			
Buse	Non requis (Utilisez la buse qui est fixée à la cartouche)			
Joint de support (comme capuchon)	Non requis	 Joint de support B	 Joint de support C	

 Paquet pelliculé				
-	300 ml (10 fl oz) (Non offert)	400 ml (14 fl oz)	600 ml (20 fl oz)	800 ml (29 fl oz)
Joint de support	-	 Joint de support B	 Joint de support C complet (Joint de support C + Plaque)	
Plaque	-	 Plaque		
Tige	-	 Tige courte	 Tige longue	 Tige noire
Piston	-	 Piston B ou Piston F *		 Piston E
Support	-	 Support D	 Support B	 Support C

Anneau de caoutchouc	-	 Anneau de caoutchouc pour joint de support B	 Anneau de caoutchouc pour joint de support C
Buse	-	 Buse pour joint de support B	 Buse pour joint de support C
Joint de support (comme capuchon)	-	 Joint de support B	 Joint de support C

- * Le piston F pousse le matériau de calefrage, ce qui le rend plus mince.
- * Lorsque vous utilisez le piston F, utilisez toujours la buse Makita. Si vous utilisez une buse autre que Makita, cela pourrait causer une interférence.

 Remplissage direct				
-	300 ml (10 fl oz) (Non offert)	400 ml (14 fl oz)	600 ml (20 fl oz)	800 ml (29 fl oz) (Non offert)
Joint de support	-	 Joint de support B	-	-
Plaque	-	 Plaque	-	-
Tige	-	 Tige courte	 Tige longue	-
Piston	-	 Piston C	-	-
Support	-	 Support D	 Support B	-
Anneau de caoutchouc	-	 Anneau de caoutchouc pour joint de support B	-	-
Buse	-	 Buse pour joint de support B	-	-
Joint de support (comme capuchon)	-	 Joint de support B	-	-

Pose ou retrait du joint de support

Fixez le joint de support et la plaque en serrant fermement les vis. Pour retirer le joint de support, effectuez le contraire de la procédure d'installation.

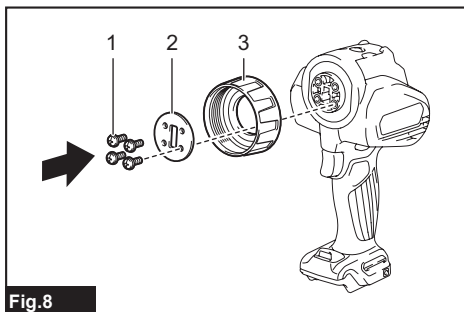


Fig.8

- 1. Vis 2. Plaque 3. Joint de support

Pose ou retrait de la tige et du piston

1. Insérez la tige par l'arrière de l'outil, avec ses dents orientées vers le bas.

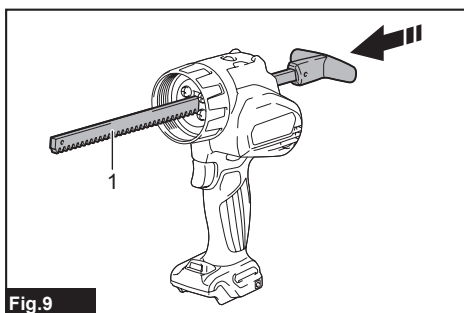


Fig.9

- 1. Tige

2. Fixez le piston avec la vis.

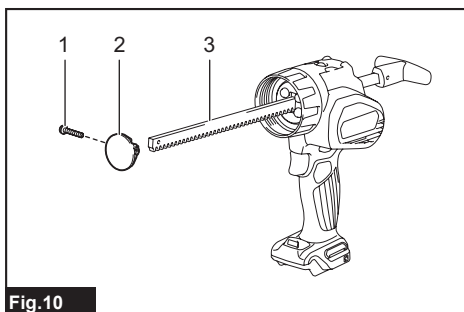


Fig.10

- 1. Vis 2. Piston 3. Tige

Pour retirer la tige et le piston, effectuez le contraire de la procédure d'installation.

Pose ou retrait du support

⚠ ATTENTION : Fixez le support fermement au joint de support. Autrement, le support risque de se détacher pendant l'utilisation et d'entraîner une blessure.

Pour poser le support, tournez-le fermement dans le sens des aiguilles d'une montre jusqu'à ce qu'il s'arrête, tout en retenant le joint de support. Pour retirer le support, effectuez le contraire de la procédure d'installation.

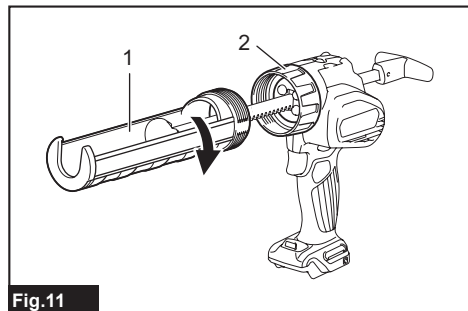


Fig.11

► 1. Support 2. Joint de support

UTILISATION

⚠ ATTENTION : N'utilisez pas de matériau de calfeutrage solide. Veillez à retirer le matériau de calfeutrage solide avant de procéder à l'installation. Un matériau de calfeutrage solide peut causer une défaillance ou des blessures corporelles.

AVIS : Assurez-vous que les pièces accessoires sont adéquates en consultant la section pour la préparation des pièces. L'utilisation de pièces inadéquates peut causer une fuite ou un bris de l'outil.

AVIS : Maintenez toujours la tige et le piston propres. Le calfeutrage collé peut endommager l'outil.

Utilisation de la cartouche

Préparation de la cartouche pour l'utilisation

1. Coupez le bout de la buse de cartouche de manière à faire sortir une quantité adéquate de matériau de calfeutrage que vous souhaitez alimenter.

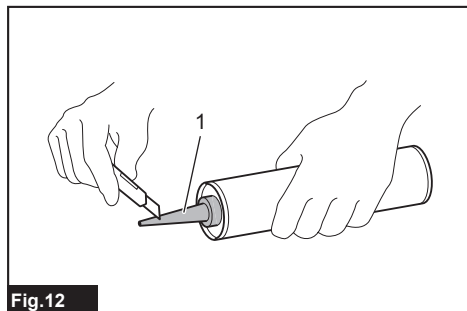


Fig.12

► 1. Buse

2. Avec le bout de la buse, faites un trou dans la pellicule de protection.

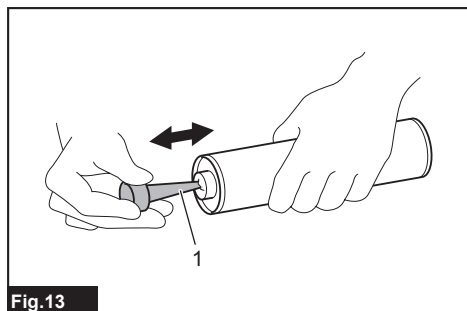


Fig.13

► 1. Buse

3. Fixez la buse à la cartouche.

AVIS : Avant la pose, pensez à vérifier l'absence de dommages sur la cartouche. L'utilisation d'une cartouche endommagée peut entraîner un dysfonctionnement.

Installation d'une cartouche sur le support A

1. Tirez lentement la poignée de tige vers l'arrière, jusqu'à ce qu'elle s'arrête.

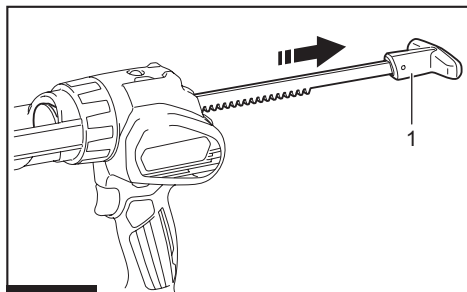


Fig.14

► 1. Poignée de tige

2. Insérez la cartouche dans le support, tel qu'illustré sur la figure.

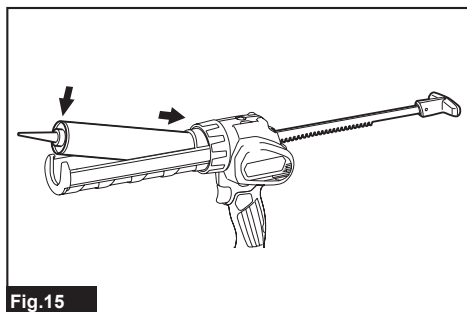


Fig.15

3. Poussez doucement la tige jusqu'à ce que le piston touche le fond de la cartouche.

Pour retirer la cartouche, tirez la tige vers l'arrière jusqu'à ce qu'elle s'arrête, puis soulevez la cartouche.

Installation d'une cartouche sur un produit autre que le support A

1. Tirez lentement la poignée de tige vers l'arrière, jusqu'à ce qu'elle s'arrête.

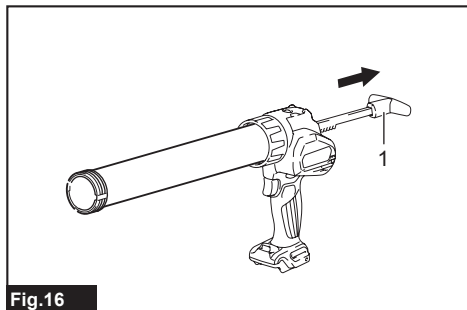


Fig.16

► 1. Poignée de tige

2. Insérez la cartouche dans le support.

3. Fixez le joint de support (comme capuchon) en le tournant fermement tout en retenant le support.

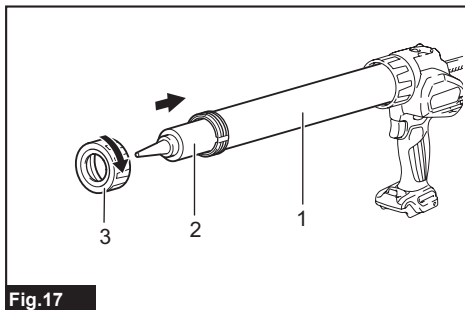


Fig.17

► 1. Support 2. Cartouche 3. Joint de support (comme capuchon)

4. Poussez doucement la tige jusqu'à ce que le piston touche le fond de la cartouche.

Pour retirer la cartouche, effectuez le contraire de la procédure d'installation.

Utilisation du paquet pelliculé

Préparation du paquet pour l'utilisation

Coupez le bout du paquet.

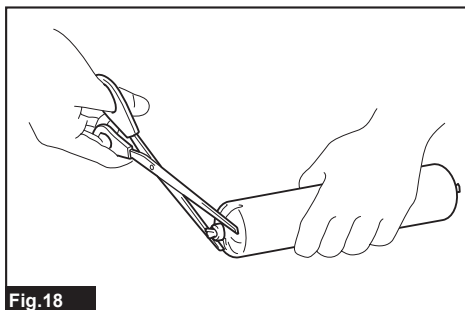


Fig.18

AVIS : Avant la pose, pensez à vérifier l'absence de dommages sur le paquet. L'utilisation d'un paquet endommagé peut entraîner un dysfonctionnement.

Installation d'un paquet pelliculé sur le support

1. Tirez lentement la poignée de tige vers l'arrière, jusqu'à ce qu'elle s'arrête.

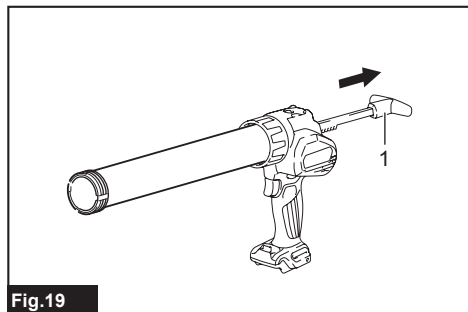


Fig.19

► 1. Poignée de tige

2. Insérez le paquet dans le support.

3. Fixez l'anneau de caoutchouc, la buse et le joint de support (comme capuchon). Fixez fermement le joint de support (comme capuchon).

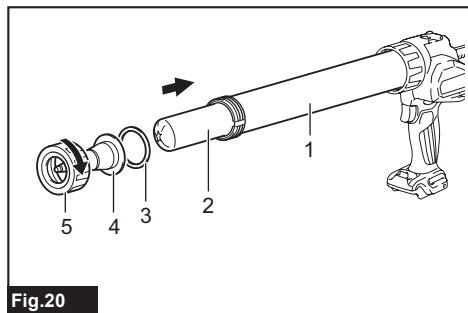


Fig.20

► 1. Support 2. Paquet pelliculé 3. Anneau de caoutchouc 4. Buse 5. Joint de support (comme capuchon)

4. Poussez doucement la tige jusqu'à ce que le piston touche le paquet.

Pour retirer le paquet, retirez le joint de support (comme capuchon), la buse et l'anneau de caoutchouc, puis poussez la poignée de tige vers l'avant jusqu'à ce qu'elle s'arrête.

Remplissage direct

1. Poussez la poignée de tige à fond, jusqu'à ce qu'elle s'arrête.

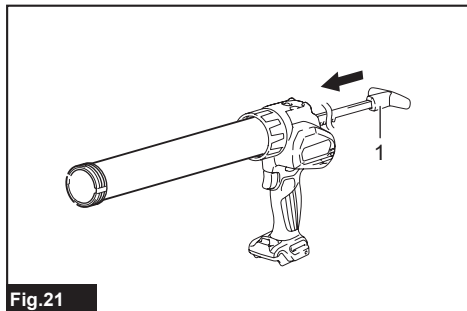


Fig.21

► 1. Poignée de tige

2. Insérez le bout du support dans le matériau de calfeutrage, puis tirez lentement sur la poignée de tige pour remplir le support de matériau de calfeutrage.

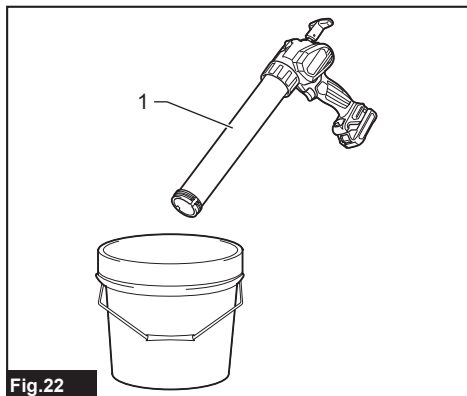


Fig.22

► 1. Support

3. Fixez l'anneau de caoutchouc, la buse et le joint de support (comme capuchon). Fixez fermement le joint de support (comme capuchon).

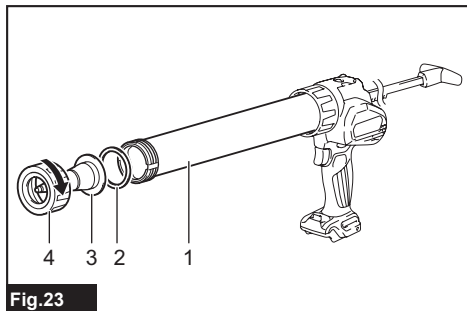


Fig.23

► 1. Support 2. Anneau de caoutchouc 3. Buse 4. Joint de support (comme capuchon)

Calfeutrage

Appuyez sur la gâchette pour faire sortir le matériau de calfeutrage. Mettez une main sous le support pour soutenir l'outil pendant l'utilisation.

NOTE : Vous pouvez tourner le support selon les situations requises pour faciliter le fonctionnement.

NOTE : Au début de l'utilisation, réglez le cadran de réglage de la vitesse sur « 1 » et appuyez lentement sur la gâchette pour vérifier la quantité de matériau de calfeutrage qui sort.

NOTE : Suivant le type et la condition du matériau de calfeutrage, il se peut qu'il ne sorte pas lentement. Le cas échéant, réglez le cadran de réglage de la vitesse sur une valeur plus élevée.

NOTE : Si le matériau de calfeutrage ne sort pas, vérifiez les points suivants :

- Le bout de la buse de cartouche n'est pas bien coupé.
- Le matériau de calfeutrage est dur et coincé dans la buse.
- La cartouche ou le paquet est endommagé.
- Le matériau de calfeutrage est rigide. Réchauffez le matériau jusqu'à ce qu'il ramollisse.
- Le piston fixé ne convient pas au type de matériau de calfeutrage.

Après l'utilisation, essayez le matériau de calfeutrage sur l'outil. Veillez à retirer le matériau de calfeutrage avant qu'il ne durcisse.

NOTE : Lorsque la tige atteint l'extrémité avant, le moteur commence à tourner au ralenti. Remplacez le matériau de calfeutrage lorsque cela se produit.

NOTE : Si vous ne pouvez pas tirer la tige, tournez le cadran de réglage de la vitesse à la position 1 et tirez la gâchette pendant un moment, puis essayez de retirer la tige en tirant lorsque le moteur s'est arrêté. Si la tige est encore bloquée, réalisez la même action jusqu'à ce qu'il soit possible de bouger la tige.

ENTRETIEN

⚠ ATTENTION : Assurez-vous toujours que l'outil est hors tension et que la batterie est retirée avant d'y effectuer tout travail d'inspection ou d'entretien.

AVIS : N'utilisez jamais d'essence, de benzine, de solvant, d'alcool ou autres produits similaires. Une décoloration, une déformation ou la formation de fissures peuvent en découler.

Pour maintenir la SÉCURITÉ et la FIABILITÉ du produit, les réparations et tout autre travail d'entretien ou de réglage doivent être effectués dans un centre de service après-vente autorisé ou une usine Makita, exclusivement avec des pièces de rechange Makita.

ACCESSOIRES EN OPTION

⚠ ATTENTION : Ces accessoires ou pièces complémentaires sont recommandés pour l'utilisation avec l'outil Makita spécifié dans ce manuel. L'utilisation de tout autre accessoire ou pièce complémentaire peut comporter un risque de blessure. N'utilisez les accessoires ou pièces complémentaires qu'aux fins auxquelles ils ont été conçus.

Si vous désirez obtenir plus de détails sur ces accessoires, veuillez contacter le centre de service après-vente Makita le plus près.

- Piston
- Jeu de support
- Buse
- Chargeur et batterie authentiques Makita

NOTE : Certains éléments de la liste peuvent être inclus avec l'outil comme accessoires standards. Ils peuvent varier suivant les pays.

GARANTIE LIMITÉE MAKITA

Pour les conditions de garantie en vigueur qui s'appliquent à ce produit, veuillez vous reporter à la feuille de garantie en annexe. Si la feuille de garantie en annexe n'est pas disponible, reportez-vous aux détails de la garantie présentés sur le site Web de votre pays, ci-dessous.

États-Unis d'Amérique: www.makitatools.com

Canada: www.makita.ca

Autres pays: www.makita.com

ESPECIFICACIONES

Modelo:		CG100D
Fuerza máxima de alimentación		5 000 N (1 100 lbs)
Velocidad de alimentación		0 mm/s - 28 mm/s (0 inch/min - 66 inch/min)
Ciclo	Sujetador de 300 ml (10 onzas líquidas) (Sujetador A)	214 mm (8-3/8")
	Sujetador de tamaño de 400 ml (14 onzas líquidas) (Sujetador D)	214 mm (8-3/8")
	Sujetador de 600 ml (20 onzas líquidas) (Sujetador B)	350 mm (13-3/4")
	Sujetador de 800 ml (29 onzas líquidas) (Sujetador C)	294 mm (11-5/8")
Longitud total	Sujetador de 300 ml (10 onzas líquidas) (Sujetador A)	404 mm (15-7/8")
	Sujetador de tamaño de 400 ml (14 onzas líquidas) (Sujetador D)	402 mm (15-3/4")
	Sujetador de 600 ml (20 onzas líquidas) (Sujetador B)	538 mm (21-1/4")
	Sujetador de 800 ml (29 onzas líquidas) (Sujetador C)	480 mm (18-7/8")
Tensión nominal		10,8 V c.c - 12 V c.c. máx.
Peso neto		1,9 kg - 2,6 kg (4,2 lbs - 5,7 lbs)

- Debido a nuestro continuo programa de investigación y desarrollo, las especificaciones aquí incluidas están sujetas a cambio sin previo aviso.
- Las especificaciones y el cartucho de batería pueden variar de país a país.
- El peso puede variar en función de los accesorios, incluido el cartucho de batería. En la tabla se muestra la combinación de peso más ligero y más pesado conforme al procedimiento 01/2014 de EPTA.

Cartucho de batería y cargador aplicables

Cartucho de batería	BL1016 / BL1021B / BL1041B
Cargador	DC10SB / DC10WD / DC18RE

- Algunos de los cartuchos de batería y cargadores enumerados arriba podrían no estar disponibles dependiendo de su área de residencia.

⚠ADVERTENCIA: Use únicamente los cartuchos de batería y los cargadores indicados arriba. El uso de cualquier otro cartucho de batería y cargador podría ocasionar una lesión y/o un incendio.

ADVERTENCIAS DE SEGURIDAD

Advertencias generales de seguridad para herramientas eléctricas

⚠ADVERTENCIA: Lea todas las advertencias de seguridad, instrucciones, ilustraciones y especificaciones suministradas con esta herramienta eléctrica. El no seguir todas las instrucciones indicadas a continuación podría ocasionar una descarga eléctrica, incendio y/o lesiones graves.

Conserve todas las advertencias e instrucciones como referencia en el futuro.

En las advertencias, el término "herramienta eléctrica" se refiere a su herramienta eléctrica de funcionamiento con conexión a la red eléctrica (con cableado eléctrico) o herramienta eléctrica de funcionamiento a batería (inalámbrica).

Seguridad en el área de trabajo

1. **Mantenga el área de trabajo limpia y bien iluminada.** Las áreas oscuras o desordenadas son propensas a accidentes.

2. **No utilice las herramientas eléctricas en atmósferas explosivas, tal como en la presencia de líquidos, gases o polvo inflamables.** Las herramientas eléctricas crean chispas que pueden prender fuego al polvo o los humos.
3. **Mantenga a los niños y curiosos alejados mientras utiliza una herramienta eléctrica.** Las distracciones le pueden hacer perder el control.
3. **Impida el encendido accidental. Asegúrese de que el interruptor esté en la posición de apagado antes de conectar a la alimentación eléctrica y/o de colocar el cartucho de batería, así como al levantar o cargar la herramienta.** Cargar las herramientas eléctricas con su dedo en el interruptor o enchufarlas con el interruptor encendido hace que los accidentes sean comunes.

Seguridad eléctrica

1. **Las clavijas de conexión de las herramientas eléctricas deberán encajar perfectamente en la toma de corriente. No modifique nunca la clavija de conexión de ninguna forma. No utilice ninguna clavija adaptadora con herramientas eléctricas que tengan conexión a tierra (puesta a tierra).** La utilización de clavijas no modificadas y que encajen perfectamente en la toma de corriente reducirá el riesgo de que se produzca una descarga eléctrica.
2. **Evite tocar con el cuerpo superficies conectadas a tierra o puestas a tierra tales como tubos, radiadores, cocinas y refrigeradores.** Si su cuerpo es puesto a tierra o conectado a tierra existirá un mayor riesgo de que sufra una descarga eléctrica.
3. **No exponga las herramientas eléctricas a la lluvia ni a condiciones húmedas.** La entrada de agua en una herramienta eléctrica aumentará el riesgo de que se produzca una descarga eléctrica.
4. **No maltrate el cable. Nunca utilice el cable para transportar, jalar o desconectar la herramienta eléctrica. Mantenga el cable alejado del calor, aceite, objetos cortantes o piezas móviles.** Los cables dañados o enredados aumentan el riesgo de sufrir una descarga eléctrica.
5. **Cuando utilice una herramienta eléctrica en exteriores, utilice un cable de extensión apropiado para uso en exteriores.** La utilización de un cable apropiado para uso en exteriores reducirá el riesgo de que se produzca una descarga eléctrica.
6. **Si no es posible evitar usar una herramienta eléctrica en condiciones húmedas, utilice un alimentador protegido con interruptor de circuito de falla a tierra (ICFT).** El uso de un ICFT reduce el riesgo de descarga eléctrica.
7. **Las herramientas eléctricas pueden producir campos electromagnéticos (CEM) que no son dañinos para el usuario.** Sin embargo, si los usuarios tienen marcapasos y otros dispositivos médicos similares, deberán consultar al fabricante de su dispositivo y/o a su médico antes de operar esta herramienta eléctrica.
4. **Retire cualquier llave de ajuste o llave de apriete antes de encender la herramienta.** Una llave de ajuste o llave de apriete que haya sido dejada puesta en una parte giratoria de la herramienta eléctrica puede ocasionar alguna lesión.
5. **No utilice la herramienta donde no alcance. Mantenga los pies sobre suelo firme y el equilibrio en todo momento.** Esto permite un mejor control de la herramienta eléctrica en situaciones inesperadas.
6. **Use una vestimenta apropiada. No use ropa suelta ni alhajas. Mantenga el cabello, la ropa y los guantes alejados de las piezas móviles.** Las prendas de vestir holgadas, las alhajas y el cabello largo suelto podrían engancharse en estas piezas móviles.
7. **Si dispone de dispositivos para la conexión de equipos de extracción y recolección de polvo, asegúrese de conectarlos y utilizarlos debidamente.** Hacer uso de la recolección de polvo puede reducir los riesgos relacionados con el polvo.
8. **No permita que la familiaridad adquirida debido al uso frecuente de las herramientas haga que se sienta confiado e ignore los principios de seguridad de las herramientas.** Un descuido podría ocasionar una lesión grave en una fracción de segundo.
9. **Utilice siempre gafas protectoras para proteger sus ojos de lesiones al usar herramientas eléctricas. Las gafas deben cumplir con la Norma ANSI Z87.1 en EUA.** Es responsabilidad del empleador imponer el uso de equipos protectores de seguridad apropiados a los operadores de la herramienta y demás personas cerca del área de trabajo.

Mantenimiento y uso de la herramienta eléctrica

Seguridad personal

1. **Manténgase alerta, preste atención a lo que está haciendo y utilice su sentido común cuando opere una herramienta eléctrica. No utilice una herramienta eléctrica cuando esté cansado o bajo la influencia de drogas, alcohol o medicamentos.** Un momento de distracción mientras opera las herramientas eléctricas puede terminar en una lesión grave.
2. **Use equipo de protección personal. Póngase siempre protección para los ojos.** El equipo protector tal como máscara contra el polvo, zapatos de seguridad antiderrapantes, casco rígido y protección para oídos utilizados en las condiciones apropiadas reducirá el riesgo de lesiones.
1. **No fuerce la herramienta eléctrica. Utilice la herramienta eléctrica correcta para su aplicación.** La herramienta eléctrica adecuada hará un mejor trabajo y de forma más segura a la velocidad para la que ha sido fabricada.
2. **No utilice la herramienta eléctrica si el interruptor no la enciende y apaga.** Cualquier herramienta eléctrica que no pueda ser controlada con el interruptor es peligrosa y debe ser reemplazada.
3. **Desconecte la clavija de la fuente de alimentación y/o retire la batería de la herramienta eléctrica, en caso de ser removible, antes de realizar ajustes, cambiar accesorios o almacenar las herramientas eléctricas.** Tales medidas de seguridad preventivas reducirán el riesgo de poner en marcha la herramienta eléctrica de forma accidental.
4. **Guarde la herramienta eléctrica que no use fuera del alcance de los niños y no permita que las personas que no están familiarizadas con ella o con las instrucciones la operen.** Las herramientas eléctricas son peligrosas en manos de personas que no saben operarlas.

5. **Dé mantenimiento a las herramientas eléctricas y los accesorios. Compruebe que no haya piezas móviles desalineadas o estancadas, piezas rotas y cualquier otra condición que pueda afectar al funcionamiento de la herramienta eléctrica. Si la herramienta eléctrica está dañada, haga que la reparen antes de utilizarla.** Muchos de los accidentes son ocasionados por no dar un mantenimiento adecuado a las herramientas eléctricas.
6. **Mantenga las herramientas de corte limpias y filosas.** Si recibe un mantenimiento adecuado y tiene los bordes afilados, es probable que la herramienta se atasque menos y sea más fácil controlarla.
7. **Utilice la herramienta eléctrica, los accesorios y las brocas de acuerdo con estas instrucciones, considerando las condiciones laborales y el trabajo a realizar.** Si utiliza la herramienta eléctrica para realizar operaciones distintas de las indicadas, podrá presentarse una situación peligrosa.
8. **Mantenga los mangos y superficies de asiento secos, limpios y libres de aceite o grasa.** Los mangos y superficies de asiento resbalosos no permiten una manipulación segura ni el control de la herramienta en situaciones inesperadas.
9. **Cuando vaya a utilizar esta herramienta, evite usar guantes de trabajo de tela ya que éstos podrían atorarse.** Si los guantes de trabajo de tela llegaran a atorarse en las piezas móviles, esto podría ocasionar lesiones personales.

Uso y cuidado de la herramienta a batería

1. **Recargue sólo con el cargador especificado por el fabricante.** Un cargador que es adecuado para un solo tipo de batería puede generar riesgo de incendio al ser utilizado con otra batería.
2. **Utilice las herramientas eléctricas solamente con las baterías designadas específicamente para ellas.** La utilización de cualquier otra batería puede crear un riesgo de lesiones o incendio.
3. **Cuando no se esté usando la batería, manténgala alejada de otros objetos metálicos, como sujetapapeles (clips), monedas, llaves, clavos, tornillos u otros objetos pequeños de metal los cuales pueden actuar creando una conexión entre las terminales de la batería.** Originar un cortocircuito en las terminales puede causar quemaduras o incendios.
4. **En condiciones abusivas, podrá escapar líquido de la batería; evite tocarlo. Si lo toca accidentalmente, enjuague con agua. Si hay contacto del líquido con los ojos, busque asistencia médica.** Puede que el líquido expulsado de la batería cause irritación o quemaduras.
5. **No utilice una herramienta ni una batería que estén dañadas o hayan sido modificadas.** Las baterías dañadas o modificadas podrían ocasionar una situación inesperada provocando un incendio, explosión o riesgo de lesiones.
6. **No exponga la herramienta ni la batería al fuego ni a una temperatura excesiva.** La exposición al fuego o a una temperatura superior a los 130 °C podría causar una explosión.

7. **Siga todas las instrucciones para la carga y evite cargar la herramienta o la batería fuera del rango de temperatura especificado en las instrucciones.** Una carga inadecuada o a una temperatura fuera del rango especificado podría dañar la batería e incrementar el riesgo de incendio.

Servicio

1. **Haga que una persona calificada repare la herramienta eléctrica utilizando sólo piezas de repuesto idénticas.** Esto asegura que se mantenga la seguridad de la herramienta eléctrica.
2. **Nunca dé servicio a baterías que estén dañadas.** El servicio a las baterías solamente deberá ser efectuado por el fabricante o un agente de servicio autorizado.
3. **Siga las instrucciones para la lubricación y cambio de accesorios.**
4. **No modifique ni intente reparar el aparato ni el paquete de baterías salvo como se indique en las instrucciones para el uso y cuidado.**

Advertencias de seguridad para la pistola inalámbrica para aplicación de sellador

1. Mantenga alejadas las manos y su ropa del área de la barra y el émbolo. De lo contrario, sus dedos o ropa podrían enredarse.
2. Sujete la herramienta firmemente.
3. Mantenga siempre el área de trabajo bien ventilada y use protección adecuada según el tipo de operación.
4. Asegúrese de que no haya nadie debajo cuando utilice la herramienta en lugares elevados.
5. Lea y siga las instrucciones del fabricante relativas al material sellador o material adhesivo antes del uso.
6. No tape las aberturas de ventilación o puede provocar un sobrecalentamiento y dañar la herramienta.

GUARDE ESTAS INSTRUCCIONES.

⚠️ ADVERTENCIA: NO DEJE que la comodidad o familiaridad con el producto (a base de utilizarlo repetidamente) sustituya la estricta observancia de las normas de seguridad para dicho producto. **El MAL USO o el no seguir las normas de seguridad establecidas en este manual de instrucciones puede ocasionar lesiones personales graves.**

Símbolos

A continuación se muestran los símbolos utilizados para la herramienta.

v	volts o voltios
— — —	corriente directa o continua

Instrucciones importantes de seguridad para el cartucho de batería

1. Antes de utilizar el cartucho de batería, lea todas las instrucciones e indicaciones de precaución en el (1) el cargador de batería, (2) la batería, y (3) el producto con el que se utiliza la batería.
2. No desarme ni modifique el cartucho de batería. Podría ocurrir un incendio, calor excesivo o una explosión.
3. Si el tiempo de operación se ha acortado en exceso, deje de operar de inmediato. Podría correrse el riesgo de sobrecalentamiento, posibles quemaduras e incluso explosión.
4. En caso de que ingresen electrolitos en sus ojos, enjuáguelos bien con agua limpia y consulte de inmediato a un médico. Esto podría ocasionar pérdida de visión.
5. Evite cortocircuitar el cartucho de batería:
 - (1) No toque las terminales con ningún material conductor.
 - (2) Evite guardar el cartucho de batería en un cajón junto con otros objetos metálicos, tales como clavos, monedas, etc.
 - (3) No esponga el cartucho de batería al agua o la lluvia.

Un cortocircuito en la batería puede causar un flujo grande de corriente, sobrecalentamiento, posibles quemaduras e incluso una descompostura.
6. No guarde ni utilice la herramienta y el cartucho de batería en lugares donde la temperatura pueda alcanzar o exceder los 50 °C (122 °F).
7. Nunca incinere el cartucho de batería incluso en el caso de que esté dañado seriamente o ya no sirva en absoluto. El cartucho de batería puede explotar si se tira al fuego.
8. No clave, corte, aplaste, lance o deje caer el cartucho de batería, ni golpee un objeto sólido contra el cartucho de batería. Dicha acción podría resultar en un incendio, calor excesivo o en una explosión.
9. No use una batería dañada.
10. Las baterías de ión de litio están sujetas a los requisitos reglamentarios en materia de bienes peligrosos.

Para el transporte comercial, por ej., mediante terceros o agentes de transporte, se deben tomar en cuenta los requisitos especiales relativos al empaque y el etiquetado.

Para efectuar los preparativos del artículo que se va a enviar, se requiere consultar a un experto en materiales peligrosos. Si es posible, consulte además otras regulaciones nacionales más detalladas.

Pegue o cubra con cinta adhesiva los contactos abiertos y empaque la batería de manera que ésta no pueda moverse dentro del paquete.
11. Para deshacerse del cartucho de batería, sáquelo de la herramienta y deséchelo en un lugar seguro. Siga las regulaciones locales relacionadas al desecho de las baterías.

12. Utilice las baterías únicamente con los productos especificados por Makita. Instalar las baterías en productos que no cumplan con los requisitos podría ocasionar un incendio, un calentamiento excesivo, una explosión o una fuga de electrolito.
13. Si no se utiliza la herramienta por un periodo largo, debe extraerse la batería de la herramienta.
14. El cartucho de batería podría absorber calor durante y después de su uso, lo que ocasionaría quemaduras o quemaduras a baja temperatura. Tenga cuidado con la manipulación de los cartuchos de batería que estén calientes.
15. No toque el terminal de la herramienta inmediatamente después de su uso, ya que el mismo podría estar lo suficientemente caliente como para provocarle quemaduras.
16. No permita que las rebabas, el polvo o la tierra queden atrapados en los terminales, orificios y ranuras del cartucho de batería. Podría provocar calentamiento, incendio, explosión y mal funcionamiento de la herramienta o del cartucho de batería, lo que resultaría en quemaduras o lesiones personales.
17. No utilice el cartucho de batería cerca de cables eléctricos de alto voltaje, a menos que la herramienta sea compatible con el uso cercano a estos cables eléctricos de alto voltaje. Esto podría ocasionar una avería o descompostura de la herramienta o del cartucho de batería.
18. Mantenga la batería alejada de los niños.

GUARDE ESTAS INSTRUCCIONES.

⚠PRECAUCIÓN: Utilice únicamente baterías originales de Makita. El uso de baterías no originales de Makita, o de baterías alteradas, puede ocasionar que las baterías exploten causando un incendio, lesiones personales y daños. Asimismo, esto invalidará la garantía de Makita para la herramienta y el cargador Makita.

Consejos para alargar al máximo la vida útil de la batería

1. Cargue el cartucho de batería antes de que se descargue completamente. Pare siempre la operación y cargue el cartucho de batería cuando note menos potencia en la herramienta.
2. No cargue nunca un cartucho de batería que esté completamente cargado. La sobrecarga acortará la vida de servicio de la batería.
3. Cargue el cartucho de batería a una temperatura ambiente de 10 °C - 40 °C (50 °F - 104 °F). Si un cartucho de batería está caliente, déjelo enfriar antes de cargarlo.
4. Cuando no utilice el cartucho de batería, sáquelo de la herramienta o del cargador.

DESCRIPCIÓN DEL FUNCIONAMIENTO

⚠️ PRECAUCIÓN: Asegúrese siempre de que la herramienta esté apagada y el cartucho de batería haya sido extraído antes de realizar cualquier ajuste o comprobación en la herramienta.

Instalación o extracción del cartucho de batería

⚠️ PRECAUCIÓN: Apague siempre la herramienta antes de colocar o quitar el cartucho de batería.

⚠️ PRECAUCIÓN: Sujete la herramienta y el cartucho de la batería con firmeza al colocar o quitar el cartucho de batería. Si no se sujeta con firmeza la herramienta y el cartucho de batería, puede ocasionar que se resbalen de sus manos causando daños a la herramienta y al cartucho de batería, así como lesiones a la persona.

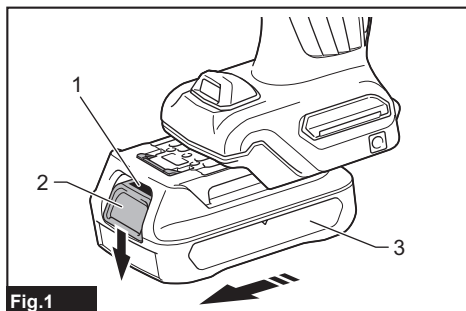


Fig.1

► 1. Indicador rojo 2. Botón 3. Cartucho de batería

Para quitar el cartucho de batería, deslícelo de la herramienta mientras desliza el botón sobre la parte delantera del cartucho.

Para instalar el cartucho de batería, alinee la lengüeta sobre el cartucho de batería con la ranura en la carcasa y deslícela hasta su lugar. Insértelo por completo hasta que se fije en su lugar con un pequeño clic. Si puede ver el indicador rojo como se muestra en la ilustración, este no ha quedado asegurado por completo.

⚠️ PRECAUCIÓN: Introduzca siempre completamente el cartucho de batería hasta que el indicador rojo no pueda verse. Si no, podría accidentalmente salirse de la herramienta y caer al suelo causando una lesión a usted o alguien a su alrededor.

⚠️ PRECAUCIÓN: No instale el cartucho de batería a la fuerza. Si el cartucho no se desliza al interior fácilmente, se debe a que no está siendo insertado correctamente.

Sistema de protección de batería

La herramienta está equipada con un sistema de protección de batería. Este sistema corta en forma automática el suministro de energía al motor para prolongar la vida útil de la batería. La herramienta se detendrá automáticamente durante el funcionamiento si la herramienta y/o la batería se someten a una de las siguientes condiciones:

Sobrecarga:

La herramienta se está utilizando de una manera que causa que consuma una cantidad de corriente inusualmente alta. En este caso, apague la herramienta y detenga la aplicación que causó que la herramienta se sobrecargara. Luego encienda la herramienta para reiniciarla. Si la herramienta no arranca, significa que la batería se sobrecalentó. En este caso, espere a que la batería se enfríe antes de volver a encender la herramienta.

Bajo voltaje de la batería:

La capacidad restante de la batería es demasiado baja y la herramienta no funcionará. Si enciende la herramienta, el motor vuelve a funcionar pero se detiene al poco tiempo. En este caso, extraiga la batería y vuelva a cargarla.

Indicación de la capacidad restante de la batería

Únicamente para cartuchos de batería con el indicador

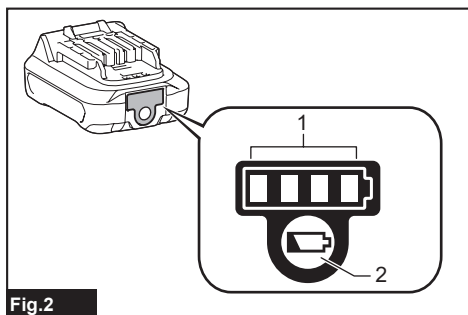


Fig.2

► 1. Luces indicadoras 2. Botón de verificación

Oprima el botón de verificación en el cartucho de la batería para que indique la capacidad restante de la batería. Las luces indicadoras se iluminarán por algunos segundos.

Luces indicadoras		Capacidad restante
Iluminadas	Apagado	
■ ■ ■ ■	□	75% a 100%
■ ■ ■ □	□	50% a 75%
■ ■ □ □	□	25% a 50%
■ □ □ □	□	0% a 25%

NOTA: Dependiendo de las condiciones de uso y la temperatura ambiente, la indicación podrá diferir ligeramente de la capacidad real.

Accionamiento del interruptor

⚠PRECAUCIÓN: Antes de insertar el cartucho de batería en la herramienta, compruebe siempre y cerciórese de que el gatillo interruptor se acciona debidamente y que vuelve a la posición "OFF" (apagado) cuando lo suelta.

⚠PRECAUCIÓN: Al no estar utilizando la herramienta, presione el botón de bloqueo del gatillo del lado A para bloquear el gatillo interruptor en la posición "OFF" (apagado).

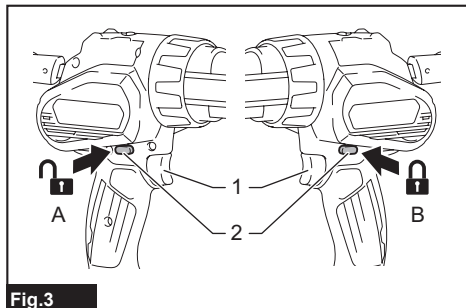


Fig.3

► 1. Gatillo interruptor 2. Botón de bloqueo del gatillo

El botón de bloqueo del gatillo es proporcionado para evitar que el gatillo interruptor sea jalado accidentalmente.

Para arrancar la herramienta, presione el botón de bloqueo del gatillo del lado A y jale el gatillo interruptor. La velocidad de la herramienta aumenta al incrementar la presión en el gatillo interruptor. Para detenerla, suelte el gatillo interruptor.

Después de usarla, presione el botón de bloqueo del gatillo del lado B.

Selector de ajuste de velocidad

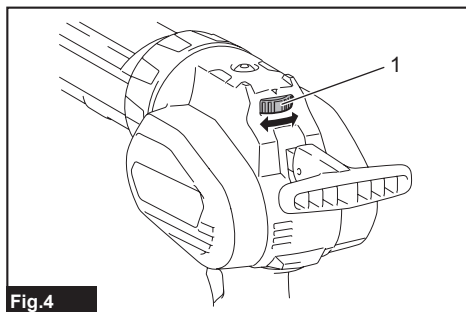


Fig.4

► 1. Selector de ajuste de velocidad

La velocidad de la herramienta se puede ajustar girando el selector de ajuste de velocidad. La velocidad más alta se puede obtener en 5 y la más baja en 1.

AVISO: No gire el selector de manera rápida cuando la herramienta esté funcionando.

AVISO: Dependiendo del tipo y las condiciones del material de sellado, éste podría no ser alimentado a baja velocidad. En este caso, coloque el selector de ajuste de velocidad en un nivel más alto.

AVISO: Cuando cambie el selector de velocidad de "5" a "1", gire el selector en sentido inverso al de las manecillas del reloj. No gire el selector en el sentido de las manecillas del reloj forzadamente.

Iluminación de la luz delantera

⚠PRECAUCIÓN: No mire a la luz ni vea a la fuente de luz directamente.

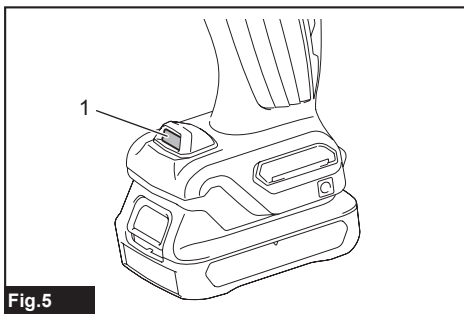


Fig.5

► 1. Lámpara

Para encender la lámpara, jale ligeramente el gatillo interruptor y luego suéltelo. La lámpara se apagará aproximadamente 10 segundos después de haber soltado el gatillo interruptor.

AVISO: Cuando la herramienta se sobrecaliente, la lámpara parpadeará. Permita que la herramienta se enfríe por completo antes de volver a usarla.

NOTA: Utilice un paño seco para quitar la suciedad de la lente de la lámpara. Tenga cuidado de no rayar la lente de la lámpara ya que la iluminación podría disminuir.

Luz de advertencia de sobrecarga

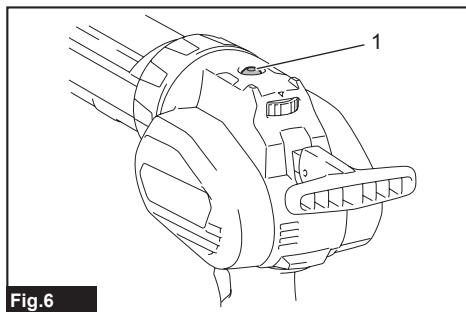


Fig.6

► 1. Luz de advertencia

La luz de advertencia parpadeará cuando la herramienta se haya sobrecargado. Si la carga aumenta y la herramienta se sobrecarga, esta última se detendrá automáticamente y la luz de advertencia seguirá encendiéndose. En este caso, suelte el gatillo interruptor, corrija la causa de la sobrecarga y luego vuelva a arrancar la herramienta.

NOTA: Si la luz de advertencia parpadea, verifique los siguientes puntos:

- El material de sellado está obstruido.
- El selector de ajuste de velocidad está colocado en velocidad alta.
- El área de corte de la punta de la boquilla del cartucho o el empaque de tipo plástico es demasiado pequeña.

Función de prevención de goteo

El motor continuará funcionando durante un breve lapso incluso después de haber soltado el gatillo. Esto liberará la presión del material de sellado y evitará el goteo.

MONTAJE

⚠PRECAUCIÓN: Asegúrese siempre de que la herramienta esté apagada y el cartucho de batería haya sido extraído antes de realizar cualquier trabajo en la misma.

⚠PRECAUCIÓN: Cuando realice un montaje, coloque siempre la herramienta en el suelo o en el banco de trabajo. La herramienta podría perder el equilibrio y ocasionar una lesión si no se sujeta con firmeza.

Preparación de las piezas

Accesorio opcional

La herramienta comprende las siguientes piezas de aditamento, como se muestra en la ilustración.

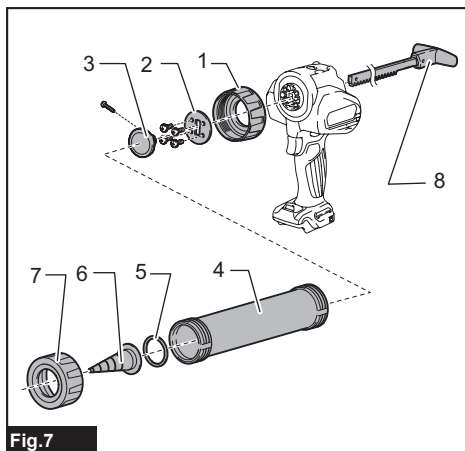




Fig.7







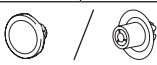



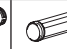





► 1. Junta del sujetador 2. Placa 3. Pistón
4. Sujetador 5. Anillo de goma 6. Boquilla 7. Junta del sujetador (como tapa) 8. Barra




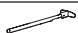






NOTA: Algunas piezas de aditamento o accesorios opcionales no están disponibles en su país.

Prepare el tipo de pieza de aditamento adecuado en función del contenido del material de sellado consultando la tabla a continuación.

	Cartucho			
	300 ml (10 onzas líquidas)	400 ml (14 onzas líquidas)	600 ml (20 onzas líquidas)	800 ml (29 onzas líquidas)
Junta del sujetador	 Junta del sujetador A	 Junta del sujetador B	 Junta del sujetador C completa (Junta del sujetador C + placa)	
Placa	 Placa			
Barra	 Barra corta	 Barra larga	 Barra negra	
Pistón	 Pistón A		 Pistón D	
Sujetador	 Sujetador A	 Sujetador D	 Sujetador B	 Sujetador C
Anillo de goma	No requerido			

Boquilla	No requerido (Utilice la boquilla, la cual está colocada en el cartucho)		
Junta del sujetador (como tapa)	No requerido	 Junta del sujetador B	 Junta del sujetador C

 Empaque de tipo plástico				
-	300 ml (10 onzas líquidas) (No disponible)	400 ml (14 onzas líquidas)	600 ml (20 onzas líquidas)	800 ml (29 onzas líquidas)
Junta del sujetador	-	 Junta del sujetador B	 Junta del sujetador C completa (Junta del sujetador C + placa)	
Placa	-	 Placa		
Barra	-	 Barra corta	 Barra larga	 Barra negra
Pistón	-	 Pistón B o pistón F*		 Pistón E
Sujetador	-	 Sujetador D	 Sujetador B	 Sujetador C
Anillo de goma	-	 Anillo de goma para la junta del sujetador B		 Anillo de goma para la junta del sujetador C
Boquilla	-	 Boquilla para la junta del sujetador B		 Boquilla para la junta del sujetador C
Junta del sujetador (como tapa)	-	 Junta del sujetador B		 Junta del sujetador C

 Llenado directo				
-	300 ml (10 onzas líquidas) (No disponible)	400 ml (14 onzas líquidas)	600 ml (20 onzas líquidas)	800 ml (29 onzas líquidas) (No disponible)
Junta del sujetador	-	 Junta del sujetador B		-
Placa	-	 Placa		-
Barra	-	 Barra corta	 Barra larga	-
Pistón	-	 Pistón C		-
Sujetador	-	 Sujetador D	 Sujetador B	-
Anillo de goma	-	 Anillo de goma para la junta del sujetador B		-
Boquilla	-	 Boquilla para la junta del sujetador B		-
Junta del sujetador (como tapa)	-	 Junta del sujetador B		-

* El pistón F desplaza el material de sellado menos denso.

* Cuando utilice el pistón F, utilice siempre la boquilla de Makita. El utilizar una boquilla que no sea de Makita podría ocasionar una interferencia.

Instalación o extracción de la junta del sujetador

Instale la junta del sujetador y la placa asegurándolas firmemente con los tornillos. Para extraer la junta del sujetador, siga el procedimiento de instalación en orden inverso.

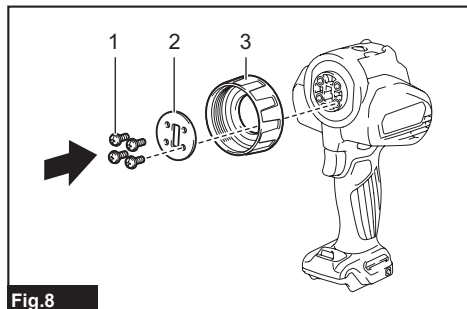


Fig.8

- 1. Tornillo 2. Placa 3. Junta del sujetador

Instalación o extracción de la barra y el pistón

1. Inserte la barra desde el lado posterior de la herramienta con sus dientes orientados hacia abajo.

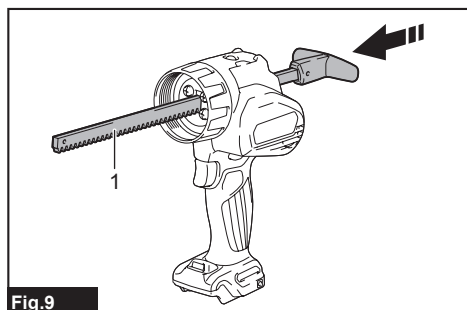


Fig.9

- 1. Barra

2. Coloque el pistón al tornillo.

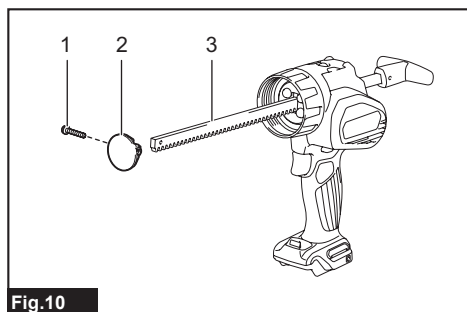


Fig.10

- 1. Tornillo 2. Pistón 3. Barra

Para extraer la barra y el pistón, siga el procedimiento de instalación en orden inverso.

Instalación o extracción del sujetador

PRECAUCIÓN: Asegure firmemente el sujetador en su junta. De lo contrario, el sujetador podría salirse durante la operación y ocasionar alguna lesión.

Para instalar el sujetador, gírelo firmemente en el sentido de las manecillas del reloj hasta que se detenga mientras sostiene la junta del sujetador. Para extraer el sujetador, siga el procedimiento de instalación en orden inverso.

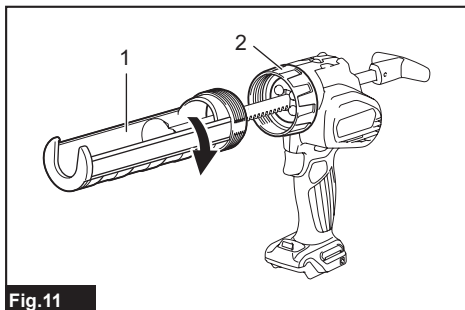


Fig.11

- 1. Sujetador 2. Junta del sujetador

OPERACIÓN

PRECAUCIÓN: No utilice un material de sellado sólido. Asegúrese de retirar el material de sellado sólido antes de la instalación. El material de sellado sólido podría ocasionar una falla o una lesión personal.

AVISO: Asegúrese de que las piezas de aditamento sean las correctas; consulte la sección para la preparación de las piezas. Utilizar las piezas inadecuadas podría ocasionar fugas o descompostura de la herramienta.

AVISO: Siempre mantenga la barra y el pistón limpios. El material de sellado adherido podría dañar la herramienta.

Uso del cartucho

Preparación del cartucho para usarse

1. Corte la punta de la boquilla del cartucho de manera que se alimente la cantidad adecuada del material de sellado que usted quiere.

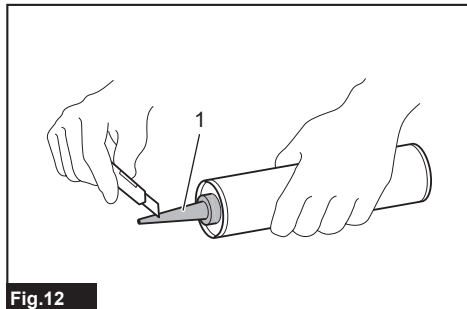


Fig.12

- 1. Boquilla

2. Haga un agujero en el plástico protector con la punta de la boquilla.

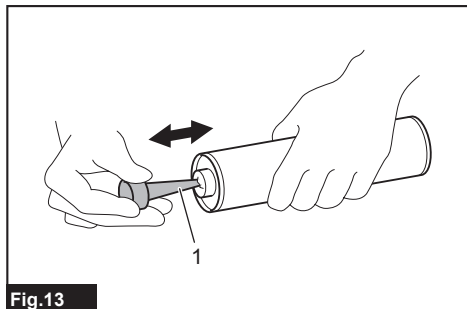


Fig.13

- 1. Boquilla

3. Coloque la boquilla en el cartucho.

AVISO: Asegúrese de revisar el cartucho para ver que no tenga daños antes de la instalación. El uso de un cartucho dañado podría causar una avería.

Instalación del cartucho al sujetador A

1. Jale lentamente el mango de la barra hacia atrás hasta que se detenga.

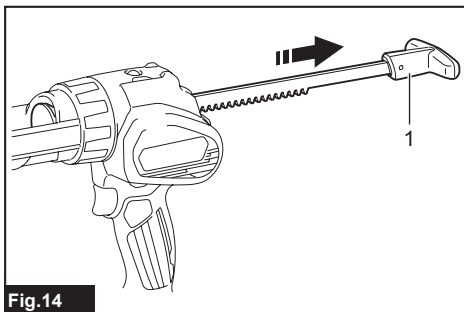


Fig.14

- 1. Mango de la barra

2. Inserte el cartucho en el sujetador, tal como se muestra en la figura.

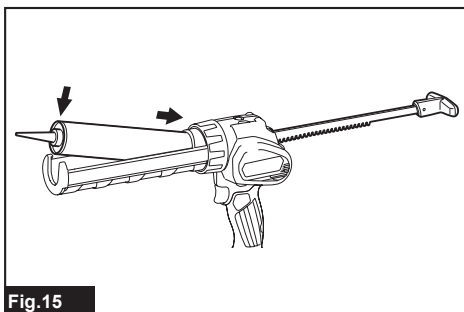


Fig.15

3. Empuje suavemente la barra hasta que el pistón toque la parte inferior del cartucho.

Para retirar el cartucho, jale de la barra hacia atrás hasta que esta se detenga, luego levante y saque el cartucho.

Instalación del cartucho cuando no sea al sujetador A

1. Jale lentamente el mango de la barra hacia atrás hasta que se detenga.

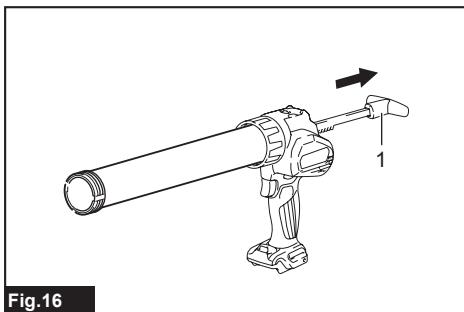


Fig.16

- 1. Mango de la barra

2. Inserte el cartucho en el sujetador.
3. Coloque la junta del sujetador (como tapa) girándola firmemente mientras sostiene el sujetador.

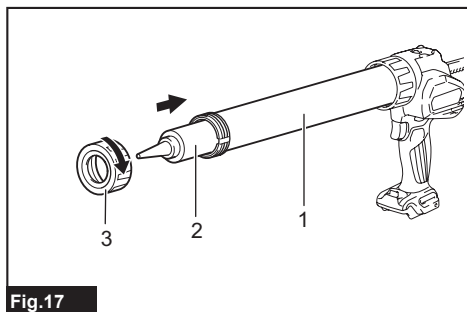


Fig.17

- 1. Sujetador 2. Cartucho 3. Junta del sujetador (como tapa)

4. Empuje suavemente la barra hasta que el pistón toque la parte inferior del cartucho.

Para extraer el cartucho, siga el procedimiento de instalación en orden inverso.

Uso del empaque de tipo plástico

Preparación del empaque para usarse

Corte la punta del empaque.

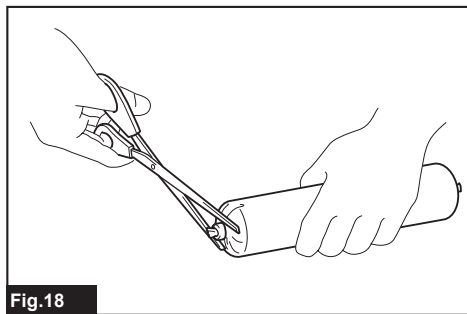


Fig.18

AVISO: Asegúrese de revisar el empaque para ver que no tenga daños antes de la instalación. El uso de un empaque dañado podría causar una avería.

Instalación del empaque de tipo plástico al sujetador

1. Jale lentamente el mango de la barra hacia atrás hasta que se detenga.

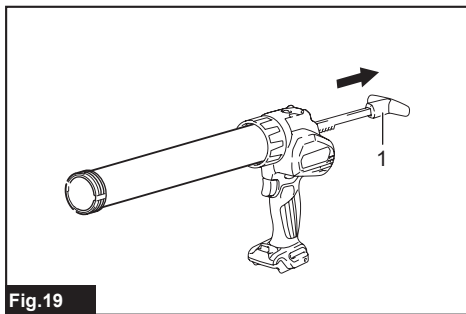


Fig.19

- 1. Mango de la barra

2. Inserte el empaque en el sujetador.
3. Coloque el anillo de goma, la boquilla y la junta del sujetador (como una tapa). Apriete la junta del sujetador (como una tapa) firmemente.

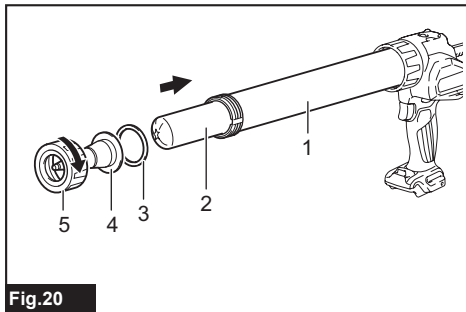


Fig.20

- 1. Sujetador 2. Empaque de tipo plástico 3. Anillo de goma 4. Boquilla 5. Junta del sujetador (como tapa)

4. Empuje suavemente la barra hasta que el pistón toque el empaque.

Para extraer el empaque, retire la junta del sujetador (como una tapa), la boquilla y el anillo de goma, y luego empuje el mango de la barra hacia adelante hasta que se detenga.

Llenado directo

1. Empuje el mango de la barra completamente hasta que se detenga.

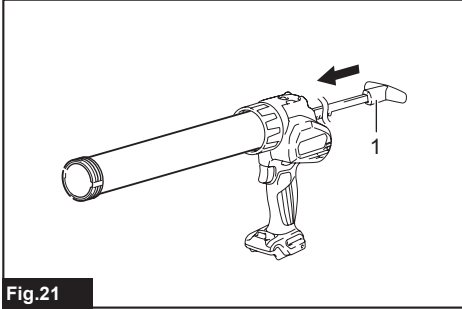


Fig.21

► 1. Mango de la barra

2. Inserte la punta del sujetador en el material de sellado y luego jale lentamente el mango de la barra para llenar el sujetador con el material de sellado.

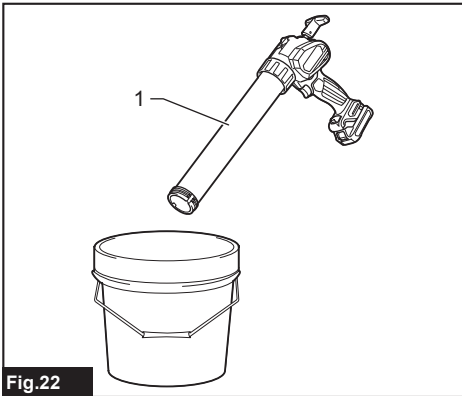


Fig.22

► 1. Sujetador

3. Coloque el anillo de goma, la boquilla y la junta del sujetador (como una tapa). Apriete la junta del sujetador (como una tapa) firmemente.

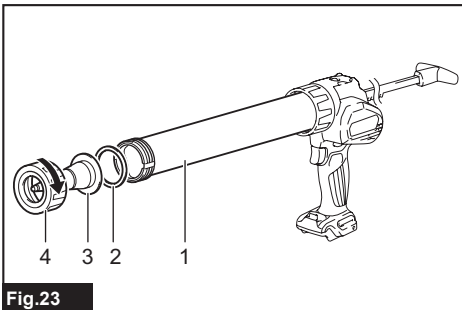


Fig.23

► 1. Sujetador 2. Anillo de goma 3. Boquilla 4. Junta del sujetador (como tapa)

Aplicación de sellador

Jale el gatillo para alimentar el material de sellado. Coloque una mano debajo del sujetador para sostener la herramienta mientras la esté usando.

NOTA: Usted puede girar el sujetador según las situaciones requeridas para facilitar la operación.

NOTA: Al principio de la operación, coloque el selector de ajuste de velocidad en "1" y jale lentamente el gatillo interruptor para verificar qué cantidad de material de sellado se está alimentando.

NOTA: Dependiendo del tipo y las condiciones del material de sellado, éste podría no ser alimentado a baja velocidad. En este caso, coloque el selector de ajuste de velocidad en un nivel más alto.

NOTA: Si el material de sellado no se está alimentando, verifique los siguientes puntos:

- La punta de la boquilla del cartucho no se cortó adecuadamente.
- El material de sellado se ha vuelto sólido y se encuentra obstruyendo la boquilla.
- El cartucho o empaque están dañados.
- El material de sellado está tieso. Caliente el material hasta que se ablande.
- El pistón instalado no es el adecuado para el tipo de material de sellado.

Después de la operación, limpie el resto de material de sellado de la herramienta. Asegúrese de retirar el material de sellado antes de que se vuelva sólido.

NOTA: Cuando la barra alcance el extremo frontal, el motor se pone en ralentí. Reemplace el material de sellado cuando esto ocurra.

NOTA: Si no puede sacar la barra, gire el selector de ajuste de velocidad al 1 y jale del gatillo interruptor por un momento, e intente sacar la barra después de que el motor se detenga. Si la barra sigue atorada, realice la misma acción hasta que la barra pueda moverse.

MANTENIMIENTO

PRECAUCIÓN: Asegúrese siempre de que la herramienta esté apagada y el cartucho de batería extraído antes de intentar realizar una inspección o mantenimiento.

AVISO: Nunca use gasolina, bencina, diluyente (tiner), alcohol o sustancias similares. Puede que esto ocasione grietas o descoloramiento.

Para mantener la SEGURIDAD y FIABILIDAD del producto, las reparaciones, y cualquier otra tarea de mantenimiento o ajuste deberán ser realizadas en centros de servicio autorizados o de fábrica Makita, empleando siempre repuestos Makita.

ACCESORIOS OPCIONALES

⚠PRECAUCIÓN: Estos accesorios o aditamentos están recomendados para utilizarse con su herramienta Makita especificada en este manual.

El empleo de cualquier otro accesorio o aditamento puede conllevar el riesgo de lesiones personales.

Utilice los accesorios o aditamentos solamente para su fin establecido.

Si necesita cualquier ayuda para más detalles en relación con estos accesorios, pregunte a su centro de servicio local Makita.

- Pistón
- Juego de sujetadores
- Boquilla
- Batería y cargador originales de Makita

NOTA: Algunos de los artículos en la lista pueden incluirse en el paquete de la herramienta como accesorios estándar. Éstos pueden variar de país a país.

GARANTÍA LIMITADA DE MAKITA

Ésta Garantía no aplica para México

Consulte la hoja de la garantía anexa para ver los términos más vigentes de la garantía aplicable a este producto. En caso de no disponer de esta hoja de garantía anexa, consulte los detalles sobre la garantía descritos en el sitio web de su país respectivo indicado a continuación.

Estados Unidos de América: www.makitatools.com

Canadá: www.makita.ca

Otros países: www.makita.com

< USA only >

WARNING

Some dust created by power sanding, sawing, grinding, drilling, and other construction activities contains chemicals known to the State of California to cause cancer, birth defects or other reproductive harm. Some examples of these chemicals are:

- lead from lead-based paints,
- crystalline silica from bricks and cement and other masonry products, and
- arsenic and chromium from chemically-treated lumber.

Your risk from these exposures varies, depending on how often you do this type of work. To reduce your exposure to these chemicals: work in a well ventilated area, and work with approved safety equipment, such as those dust masks that are specially designed to filter out microscopic particles.

< Sólo en los Estados Unidos >

ADVERTENCIA

Algunos polvos creados por el lijado, aserrado, esmerilado, taladrado y otras actividades de la construcción contienen sustancias químicas reconocidas por el Estado de California como causantes de cáncer, defectos de nacimiento y otros peligros de reproducción. Algunos ejemplos de estos productos químicos son:

- plomo de pinturas a base de plomo,
- sílice cristalino de ladrillos y cemento y otros productos de albañilería, y
- arsénico y cromo de maderas tratadas químicamente.

El riesgo al que se expone varía, dependiendo de la frecuencia con la que realice este tipo de trabajo. Para reducir la exposición a estos productos químicos: trabaje en un área bien ventilada y póngase el equipo de seguridad indicado, tal como las máscaras contra polvo que están especialmente diseñadas para filtrar partículas microscópicas.

Makita Corporation

3-11-8, Sumiyoshi-cho,
Anjo, Aichi 446-8502 Japan

www.makita.com

885602C936
CG100D-2
EN, FRCA, ESMX
20220809